

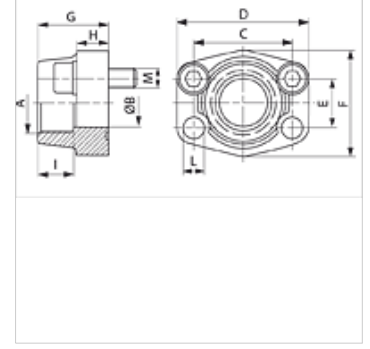
# AFS N U (3000 / 6000 PSI)

SAE Blok Flanşı, NPT

**HANSA FLEX**

## Özellikler

Standart	SAE J 518 C ISO 6162
Dizayn	düz
Model	SAE blok flanşı .
Sabitleme	Vida deliği
Teslimat kapsamı	UNC vida setli ve conta halkalı
Malzeme	S355J2G3 (ST52.3)
Yüzey koruması	siyah yağlı



## Açıklama

Verilen Maksimum Çalışma Basıncı, Flanşla İlgilidir! Gerçek Çalışma Basıncı, Boru (Et Kalınlığı) ve Borunun Kalitesi ile Belirlenir!

## Ürün

Tanım	Basınç serisi	PB 10.9 (bar)	Model ebadı	A	Ø B (mm)	C (mm)	TR (mm)	E (mm)	F (mm)	G (mm)	H (mm)	I (mm)	L (mm)	M unc
AFS 80 N 1/2 U	3000 PSI	350	1/2"	NPT 1/2" -14	13	38,1	54	17,5	46	36	16	19	9,0	5/16" x 1.1/4"
AFS 80 N 3/8 U	3000 PSI	350	1/2"	NPT 3/8" -18	13	38,1	54	17,5	46	36	16	19	9,0	5/16" x 1.1/4"
AFS 100 N 1/2 U	3000 PSI	350	3/4"	NPT 1/2" -14	13	47,6	65	22,2	50	36	18	19	11,0	3/8" x 1.1/2"
AFS 100 N 3/4 U	3000 PSI	350	3/4"	NPT 3/4" -14	19	47,6	65	22,2	50	36	18	19	11,0	3/8" x 1.1/2"
AFS 102 N 3/4 U	3000 PSI	315	1"	NPT 3/4" -14	19	52,4	70	26,2	55	35	21	19	11,0	3/8" x 1.1/2"
AFS 102 N 1 U	3000 PSI	315	1"	NPT 1" -11,5	25	52,4	70	26,2	55	38	18	22	11,0	3/8" x 1.1/2"
AFS 104 N 1 U	3000 PSI	250	1.1/4"	NPT 1" -11,5	25	58,7	81	30,2	65	42	25	22	11,5	7/16" x 1.1/2"
AFS 104 N 1 1/4 U	3000 PSI	250	1.1/4"	NPT 1.1/4" -11,5	32	58,7	79	30,2	68	41	21	22	11,5	7/16" x 1.1/2"
AFS 106 N 1 1/4 U	3000 PSI	200	1.1/2"	NPT 1.1/4" -11,5	32	69,9	95	35,7	78	45	27	24	13,5	1/2" x 1.3/4"
AFS 106 N 1 1/2 U	3000 PSI	200	1.1/2"	NPT 1.1/2"	38	69,9	93	35,7	78	45	25	24	13,5	1/2" x 1.3/4"
AFS 108 N 1 1/2 U	3000 PSI	200	2"	NPT 1.1/2"	38	77,8	102	42,9	90	45	25	26	13,5	1/2" x 1.3/4"
AFS 108 N 2 U	3000 PSI	200	2"	NPT 2" -11,5	51	77,8	102	42,9	90	45	25	30	13,5	1/2" x 1.3/4"
AFS 110 N 2 1/2 U	3000 PSI	160	2.1/2"	NPT 2.1/2" -11,5	63	88,9	114	50,8	105	50	25	30	13,5	1/2" x 1.3/4"
AFS 112 N U	3000 PSI	138	3"	NPT 3" -11,5	73	106,4	134	61,9	124	50	27	34	17,5	5/8" x 2"
AFS 114 N U	3000 PSI	35	3.1/2"	NPT 3.1/2" -11,5	89	120,7	152	69,9	136	48	27	34	17,5	5/8" x 2"
AFS 116 N U	3000 PSI	35	4"	NPT 4" -11,5	99	130,2	162	77,8	146	48	27	34	17,5	5/8" x 2"
AFS 401 N U	6000 PSI	400	1/2"	NPT 1/2" -14	13	40,5	54	18,2	46	36	16	19	9,0	5/16" x 1.1/4"
AFS 401 N 3/8 U	6000 PSI	400	1/2"	NPT 3/8" -18	13	40,5	54	18,2	46	36	16	19	9,0	5/16" x 1.1/4"
AFS 402 N U	6000 PSI	400	3/4"	NPT 3/4" -14	19	50,8	71	23,8	55	35	21	22	11,0	3/8" x 1.1/2"
AFS 402 N 1/2 U	6000 PSI	400	3/4"	NPT 1/2" -14	13	50,8	71	23,8	55	35	21	22	11,0	3/8" x 1.1/2"
AFS 403 N U	6000 PSI	400	1"	NPT 1" -11,5	25	57,2	81	27,8	65	42	25	24	13,0	7/16" x 1.3/4"
AFS 403 N 3/4 U	6000 PSI	400	1"	NPT 3/4" -14	19	57,2	81	27,8	65	42	25	24	13,0	7/16" x 1.3/4"
AFS 404 N U	6000 PSI	400	1.1/4"	NPT 1.1/4" -11,5	32	66,7	95	31,8	78	45	27	25	13,5	1/2" x 1.3/4"
AFS 404 N 1 U	6000 PSI	400	1.1/4"	NPT 1" -11,5	25	66,7	95	31,8	78	45	27	25	13,5	1/2" x 1.3/4"
AFS 405 N U	6000 PSI	400	1.1/2"	NPT 1.1/2"	38	79,4	112	36,5	94	50	30	28	17,0	5/8" x 2"
AFS 405 N 1 1/4 U	6000 PSI	400	1.1/2"	NPT 1.1/4" -11,5	32	79,4	112	36,5	94	50	30	28	17,0	5/8" x 2"
AFS 406 N U	6000 PSI	400	2"	NPT 2" -11,5	51	96,8	134	44,5	114	65	37	30	21,0	3/4" x 2.1/2"
AFS 406 N 1 1/2 U	6000 PSI	400	2"	NPT 1.1/2"	38	96,8	134	44,5	114	65	37	30	21,0	3/4" x 2.1/2"

PN=Çalışma Basıncı PB=Patlama Basıncı

## Ürün türleri

AFS N (3000 PSI)	SAE Blok Flanşı, NPT, sadece flanş
AFS N M (3000 / 6000 PSI)	SAE Blok Flanşı, NPT, metrik vida setli ve o-ringli