

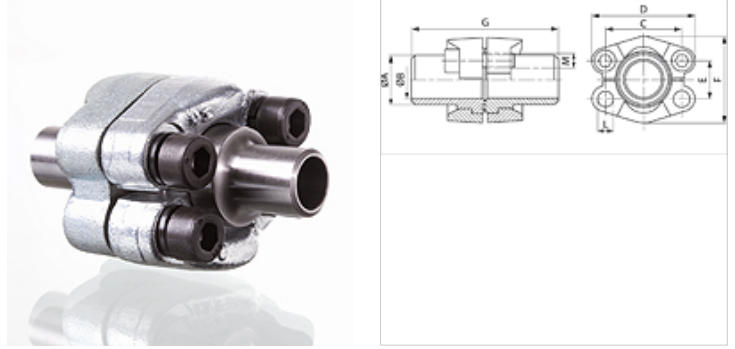
DSFS (3000 PSI)

SAE Kaynak Ucu Takımı

HANSA FLEX

Özellikler

Basınç serisi	3000 psi
Standart	SAE J 518 C ISO 6162
Dizayn	düz
Model	SAE Kaynak Ucu Takımı
Sabitlenme	metrik vida setli
Teslimat kapsamı	ile 2 flanş yarısı, vida seti ve conta halkası
Malzeme	S355J2G3 (ST52.3)
Yüzey koruması	galvaniz kaplı



Açıklama

Verilen Maksimum Çalışma Basıncı, Flanşla İlgilidir! Gerçek Çalışma Basıncı, Boru (Et Kalınlığı) ve Borunun Kalitesi ile Belirlenir!

Ürün

Tanım	PB 10.9 (bar)	Model ebadı	Boru	A (mm)	Ø B (mm)	C (mm)	TR (mm)	E (mm)	F (mm)	G (mm)	L (mm)	M metr.	M unc
DSFS 3001-16	350	1/2"	16 x 2	16,0	12,0	38,1	54	17,5	45,6	82	8,5	M 8 x 30	5/16" x 1.1/4"
DSFS 3001-21.3	350	1/2"	21,3 x 4,7	22,0	15,5	38,1	54	17,5	45,6	82	8,5	M 8 x 30	5/16" x 1.1/4"
DSFS 3002-25	350	3/4"	25 x 3	27,0	18,9	47,6	65	22,2	51,8	100	10,5	M 10 x 30	3/8" x 1.1/4"
DSFS 3002-26.9	350	3/4"	26,9 x 3,9	27,0	18,9	47,6	65	22,2	51,8	100	10,5	M 10 x 30	3/8" x 1.1/4"
DSFS 3003-28	315	1"	28 x 3	28,0	22,0	52,4	70	26,2	58,4	100	10,5	M 10 x 35	3/8" x 1.1/4"
DSFS 3003-30	315	1"	30 x 4	30,0	22,0	52,4	70	26,2	58,4	100	10,5	M 10 x 35	3/8" x 1.1/4"
DSFS 3003-33.7	315	1"	33,7 x 4,5	34,0	24,7	52,4	70	26,2	58,4	100	10,5	M 10 x 35	3/8" x 1.1/4"
DSFS 3003-38	315	1"	38 x 5	38,0	28,0	52,4	70	26,2	58,4	100	10,5	M 10 x 35	3/8" x 1.1/4"
DSFS 3004-38	250	1.1/4"	38 x 5	38,0	28,0	58,7	79	30,2	72,6	110	11,0	*1	7/16" x 1.1/2"
DSFS 3004-42.4	250	1.1/4"	42,4 x 6,3	43,0	29,7	58,7	79	30,2	72,6	110	11,0	*1	7/16" x 1.1/2"
DSFS 3005-38	200	1.1/2"	38 x 4	38,0	30,0	69,9	94	35,7	82,2	114	13,5	M 12 x 35	1/2" x 1.1/2"
DSFS 3005-42	200	1.1/2"	42 x 5	42,0	32,0	69,9	94	35,7	82,2	114	13,5	M 12 x 35	1/2" x 1.1/2"
DSFS 3005-45	200	1.1/2"	45 x 5	45,0	35,0	69,9	94	35,7	82,2	114	13,5	M 12 x 35	1/2" x 1.1/2"
DSFS 3005-48.3	200	1.1/2"	48,3 x 7,1	49,0	34,0	69,9	94	35,7	82,2	114	13,5	M 12 x 35	1/2" x 1.1/2"
DSFS 3006-55	200	2"	55 x 5	55,0	45,0	77,8	102	42,9	96,4	114	13,5	M 12 x 35	1/2" x 1.1/2"
DSFS 3006-60.3	200	2"	60,3 x 8	60,3	44,0	77,8	102	42,9	96,4	114	13,5	M 12 x 35	1/2" x 1.1/2"
DSFS 3007-65	160	2"	65 x 6	65,0	53,0	88,9	114	50,8	108,2	116	13,5	M 12 x 40	1/2" x 1.3/4"
DSFS 3007-70	160	2.1/2"	70 x 7,5	70,0	55,0	88,9	114	50,8	108,2	116	13,5	M 12 x 40	1/2" x 1.3/4"
DSFS 3007-76.1	160	2.1/2"	76,1 x 7,1	74,0	62,0	88,9	114	50,8	108,2	116	13,5	M 12 x 40	1/2" x 1.3/4"
DSFS 3008-80	138	2.1/2"	80 x 6	80,0	68,0	106,4	135	61,9	130,6	120	16,7	M 16 x 45	5/8" x 2"
DSFS 3008-88.9	138	3"	88,9 x 8	90,0	73,0	106,4	135	61,9	130,6	120	16,7	M 16 x 45	5/8" x 2"
DSFS 3009-100	35	3.1/2"	100 x 6	100,0	88,0	120,7	152	69,9	139,0	120	17,0	M 16 x 45	5/8" x 2"
DSFS 3009-88.9	35	3"	88,9 x 8	90,0	73,0	120,7	152	69,9	139,0	120	17,0	M 16 x 45	5/8" x 2"
DSFS 3010-110	35	3.1/2"	110 x 6	110,0	98,0	130,2	162	77,8	152,0	120	17,0	M 16 x 50	5/8" x 2"
DSFS 3010-114.3	35	4"	114,3 x 8,8	115,0	96,7	130,2	162	77,8	152,0	120	17,0	M 16 x 50	5/8" x 2"
DSFS 3011-133	35	5"	133 x 6,5	133,0	120,0	152,4	184	92,1	180,0	120	17,0	M 16 x 50	5/8" x 2"
DSFS 3011-139.7	35	5"	139,7 x 10	140,0	120,0	152,4	184	92,1	180,0	120	17,0	M 16 x 50	5/8" x 2"

PN=Çalışma Basıncı PB=Patlama Basıncı

*1) = isteğe bağlı olarak M 10 x 30 veya M 12 x 35