

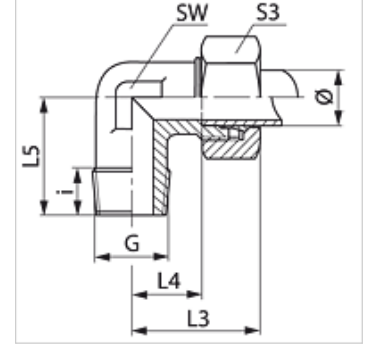
WRK VA

Blok Dirsek Bağlantı, 90° Açılı

HANSA FLEX

Özellikler

Bağlantı 1	BSPT dış dış konik
Sızdırmazlık şekli 1	dişten contalama
Bağlantı 2	metrik dış dış, silindirik
Sızdırmazlık şekli 2	24° içe havşalı
Model	Blok Bağlantı
Dizayn	90° Açılı
Standart	DIN 2353 ISO 8434-1
Teslimat kapsamı	Gövde (Somun ve Yüzüklü)
Malzeme	Paslanmaz çelik



Açıklama

Montaj, Basınç Değeri ve izin verilen Çalışma Sıcaklıkları ile ilgili Bilgiler için Lütfen Boru Bağlantı Teknik Bilgilerine Bakınız.

Ürün

Tanım	Tip	Çalışma basıncı bar	Borunun dış çapı (mm)	G	i (mm)	L3 (mm)	L4 (mm)	L5 (mm)	SW (mm)	S3
WR 04 LL VA	LL	PN 100	4	R 1/8" K	8	21,0	11,0	18	11	10
WR 06 LL VA	LL	PN 100	6	R 1/8" K	8	22,0	10,0	17	11	12
WR 08 LL VA	LL	PN 100	8	R 1/8" K	8	23,0	11,5	20	12	14
WR NW 04 HL VA	L	PN 315	6	R 1/8" K	8	27,0	12,0	20	12	14
WR NW 04 HL 1/4 VA	L	PN 315	6	R 1/4" K	12	29,0	14,0	26	12	14
WR NW 04 HL 3/8 VA	L	PN 315	6	R 3/8" K	12	29,0	14,0	26	12	14
WR NW 04 HL 1/2 VA	L	PN 315	6	R 1/2" K	14	30,5	15,5	30	17	14
WR NW 06 HL 1/8 VA	L	PN 315	8	R 1/8" K	8	29,0	14,0	26	12	17
WR NW 06 HL VA	L	PN 315	8	R 1/4" K	12	29,0	14,0	26	12	17
WR NW 06 HL 3/8 VA	L	PN 315	8	R 3/8" K	12	34,0	19,0	28	17	17
WR NW 06 HL 1/2 VA	L	PN 315	8	R 1/2" K	13	34,0	19,0	30	17	17
WR NW 08 HL 1/8 VA	L	PN 315	10	R 1/8" K	8	30,0	15,0	26	14	19
WR NW 08 HL VA	L	PN 315	10	R 1/4" K	12	30,0	15,0	27	14	19
WR NW 08 HL 3/8 VA	L	PN 315	10	R 3/8" K	12	32,0	17,0	28	17	19
WR NW 08 HL 1/2 VA	L	PN 316	10	R 1/2" K	14	38,0	23,0	34	19	19
WR NW 10 HL 1/8 VA	L	PN 315	12	R 1/8" K	8	32,0	17,5	27	17	22
WR NW 10 HL 1/4 VA	L	PN 315	12	R 1/4" K	12	32,0	17,0	28	17	22
WR NW 10 HL VA	L	PN 315	12	R 3/8" K	12	32,0	17,0	28	17	22
WR NW 10 HL 1/2 VA	L	PN 315	12	R 1/2" K	14	38,0	23,0	34	19	22
WR NW 13 HL 1/4 VA	L	PN 315	15	R 1/4" K	12	36,0	21,0	30	19	27
WR NW 13 HL 3/8 VA	L	PN 315	15	R 3/8" K	12	36,0	21,0	34	19	27
WR NW 13 HL VA	L	PN 315	15	R 1/2" K	14	36,0	21,0	34	19	27
WR NW 13 HL 3/4 VA	L	PN 160	15	R 3/4" K	16	36,0	21,0	34	24	27
WR NW 16 HL 3/8 VA	L	PN 315	18	R 3/8" K	12	40,0	23,5	34	24	32
WR NW 16 HL VA	L	PN 315	18	R 1/2" K	14	40,0	23,5	36	24	32
WR NW 16 HL 3/4 VA	L	PN 160	18	R 3/4" K	16	36,0	27,5	44	27	32
WR NW 20 HL 1/2 VA	L	PN 160	22	R 1/2" K	14	44,0	27,5	41	27	36
WRK NW 20 HL VA	L	PN 160	22	R 3/4" K	16	44,0	27,5	31	27	36
WRK NW 25 HL VA	L	PN 160	28	R 1" K	20	51,5	30,5	47	36	41
WR NW 03 HS 1/8 VA	S	PN 400	6	R 1/8" K	8	29,5	15,0	25	8	12
WR NW 03 HS VA	S	PN 400	6	R 1/4" K	12	31,0	16,0	26	12	17
WR NW 03 HS 3/8 VA	S	PN 400	6	R 3/8" K	12	32,0	17,5	27	14	17
WR NW 03 HS 1/2 VA	S	PN 400	6	R 1/2" K	14	34,0	19,0	33	17	17
WR NW 04 HS VA	S	PN 400	8	R 1/4" K	12	32,0	17,0	27	17	19
WR NW 04 HS 3/8 VA	S	PN 400	8	R 3/8" K	12	33,0	18,0	28	14	19
WR NW 04 HS 1/2 VA	S	PN 400	8	R 1/2" K	14	38,0	23,0	33	17	19
WR NW 06 HS 1/4 VA	S	PN 400	10	R 1/4" K	12	34,0	17,5	28	17	22
WR NW 06 HS VA	S	PN 400	10	R 3/8" K	12	34,0	17,5	28	17	22
WR NW 06 HS 1/2 VA	S	PN 400	10	R 1/2" K	14	39,0	22,5	32	17	22
WR NW 08 HS 1/4 VA	S	PN 400	12	R 1/4" K	12	38,0	21,5	27	17	24
WR NW 08 HS VA	S	PN 400	12	R 3/8" K	12	38,0	21,5	28	17	24
WR NW 08 HS 1/2 VA	S	PN 400	12	R 1/2" K	14	40,0	23,5	34	19	24
WR NW 10 HS 3/8 VA	S	PN 400	14	R 3/8" K	12	40,0	22,0	30	19	27



Titiz kontrole rağmen hatalar önlenemez ve sorumluluk altında bırakmayan bilgiler hakkında hiçbir sorumluluk kabul edilmez.

14.04.2025

HANSA-FLEX AG

www.hansa-flex.com

1

WRK VA

Blok Dirsek Baęlantı, 90° Açı

HANSA FLEX

Ürün

Tanım	Tip	Çalışma basıncı bar	Borunun dış çapı (mm)	G	i (mm)	L3 (mm)	L4 (mm)	L5 (mm)	SW (mm)	S3
WR NW 10 HS VA	S	PN 400	14	R 1/2" K	14	40,0	22,0	32	19	27
WR NW 13 HS 3/8 VA	S	PN 400	16	R 3/8" K	12	43,0	24,5	32	24	30
WR NW 13 HS VA	S	PN 400	16	R 1/2" K	14	43,0	24,5	32	24	30
WR NW 13 HS 3/4 VA	S	PN 160	16	R 3/4" K	16	43,0	24,5	41	24	30
WR NW 16 HS 1/2 VA	S	PN 400	20	R 1/2" K	14	48,0	26,5	42	27	36
WRK NW 16 HS VA	S	PN 160	20	R 3/4" K	16	48,0	26,5	42	27	36

Model: LL = Çok hafif L = Hafif S = Ağır - PN=Çalışma Basıncı PB=Patlama Basıncı - çap = Boru dış çapı

Ürün türleri

WRK	Blok Dirsek Baęlantı, 90° Açı, Çelik
WRK MG	Blok Dirsek Baęlantı, 90° Açı, Pirinç
XWRK VA	Blok Dirsek Baęlantı, 90° Açı, Paslanmaz çelik