

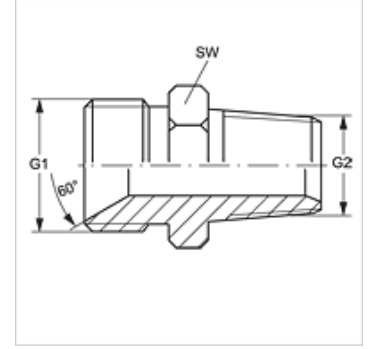
GE HB HN

Blok Adaptör

HANSA FLEX

Özellikler

| | |
|----------------------|------------------------|
| Bağlantı 1 | BSP dış dış silindirik |
| Sızdırmazlık şekli 1 | 60° içe havşalı |
| Bağlantı 2 | NPT dış dış |
| Sızdırmazlık şekli 2 | dişten contalama |
| Model | Blok Adaptör |
| Dizayn | düz |
| Malzeme | Çelik |
| Yüzey koruması | galvaniz kaplı |



Ürün

| Tanım | G1 | G2 | SW (mm) |
|----------------|--------------|------------------|------------|
| GE HB 02 HN | G 1/8" -28 | 1/8" -27 NPT | 11 |
| GE HB 02 HN 04 | G 1/8" -28 | 1/4" -18 NPT | 17 |
| GE HB 04 HN 02 | G 1/4" -19 | 1/8" -27 NPT | 17 |
| GE HB 04 HN | G 1/4" -19 | 1/4" -18 NPT | 17 |
| GE HB 04 HN 06 | G 1/4" -19 | 3/8" -18 NPT | 17 |
| GE HB 04 HN 08 | G 1/4" -19 | 1/2" -14 NPT | 22 |
| GE HB 04 HN 12 | G 1/4" -19 | 3/4" -14 NPT | 27 |
| GE HB 06 HN 02 | G 3/8" -19 | 1/8" -27 NPT | 17 |
| GE HB 06 HN 04 | G 3/8" -19 | 1/4" -18 NPT | 17 |
| GE HB 06 HN | G 3/8" -19 | 3/8" -18 NPT | 17 |
| GE HB 06 HN 08 | G 3/8" -19 | 1/2" -14 NPT | 22 |
| GE HB 06 HN 12 | G 3/8" -19 | 3/4" -14 NPT | 27 |
| GE HB 06 HN 16 | G 3/8" -19 | 1" -11,5 NPT | 36 |
| GE HB 08 HN 04 | G 1/2" -14 | 1/4" -18 NPT | 22 |
| GE HB 08 HN 06 | G 1/2" -14 | 3/8" -18 NPT | 22 |
| GE HB 08 HN | G 1/2" -14 | 1/2" -14 NPT | 22 |
| GE HB 08 HN 12 | G 1/2" -14 | 3/4" -14 NPT | 27 |
| GE HB 08 HN 16 | G 1/2" -14 | 1" -11,5 NPT | 36 |
| GE HB 10 HN 08 | G 5/8" -14 | 1/2" -14 NPT | 27 |
| GE HB 10 HN 12 | G 5/8" -14 | 3/4" -14 NPT | 27 |
| GE HB 12 HN 04 | G 3/4" -14 | 1/4" -18 NPT | 27 |
| GE HB 12 HN 06 | G 3/4" -14 | 3/8" -18 NPT | 27 |
| GE HB 12 HN 08 | G 3/4" -14 | 1/2" -14 NPT | 27 |
| GE HB 12 HN | G 3/4" -14 | 3/4" -14 NPT | 27 |
| GE HB 12 HN 16 | G 3/4" -14 | 1" -11,5 NPT | 36 |
| GE HB 12 HN 20 | G 3/4" -14 | 1.1/4" -11,5 NPT | 46 |
| GE HB 16 HN 08 | G 1" -11 | 1/2" -14 NPT | 36 |
| GE HB 16 HN 12 | G 1" -11 | 3/4" -14 NPT | 36 |
| GE HB 16 HN | G 1" -11 | 1" -11,5 NPT | 36 |
| GE HB 16 HN 20 | G 1" -11 | 1.1/4" -11,5 NPT | 46 |
| GE HB 16 HN 24 | G 1" -11 | 1.1/2" -11,5 NPT | 50 |
| GE HB 16 HN 32 | G 1" -11 | 2" -11,5 NPT | 65 |
| GE HB 20 HN 12 | G 1.1/4" -11 | 3/4" -14 NPT | 46 |
| GE HB 20 HN 16 | G 1.1/4" -11 | 1" -11,5 NPT | 46 |
| GE HB 20 HN | G 1.1/4" -11 | 1.1/4" -11,5 NPT | 46 |
| GE HB 20 HN 24 | G 1.1/4" -11 | 1.1/2" -11,5 NPT | 50 |
| GE HB 24 HN 16 | G 1.1/2" -11 | 1" -11,5 NPT | 50 |
| GE HB 24 HN 20 | G 1.1/2" -11 | 1.1/4" -11,5 NPT | 50 |
| GE HB 24 HN | G 1.1/2" -11 | 1.1/2" -11,5 NPT | 50 |
| GE HB 24 HN 32 | G 1.1/2" -11 | 2" -11,5 NPT | 65 |
| GE HB 32 HN 20 | G 2" -11 | 1.1/4" -11,5 NPT | 65 |
| GE HB 32 HN 24 | G 2" -11 | 1.1/2" -11,5 NPT | 65 |
| GE HB 32 HN | G 2" -11 | 2" -11,5 NPT | 65 |

SW = Anahtar genişliği

Ürün türleri

GE HB HN VA Blok Adaptör, Paslanmaz çelik