

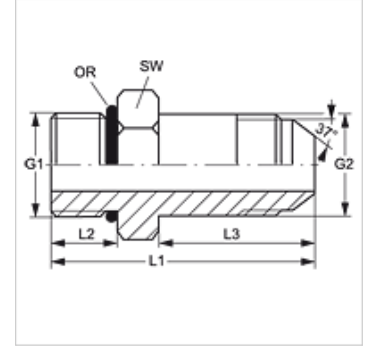
GE HMO L HJ

Blok Adaptör, Uzun

HANSA FLEX

Özellikler

| | |
|-----------------------------|----------------------------|
| Bağlantı 1 | metrik dış diş, silindirik |
| Sızdırmazlık şekli 1 | Padrada O-Ringli |
| Bağlantı 2 | UN/UNF dış diş |
| Sızdırmazlık şekli 2 | 74°'lik dış havşa |
| Model | Blok Adaptör uzun |
| Dizayn | düz |
| Malzeme | Çelik |
| Yüzey koruması | galvaniz kaplı |



Ürün

| Tanım | G1 | G2 | L1 (mm) | L2 (mm) | L3 (mm) | SW (mm) | OR |
|-------------------|------------|----------------|------------|------------|------------|------------|--------------|
| GE HMO L 10 HJ 04 | M 10 x 1 | 7/16" -20 UNF | 51,0 | 9,0 | 35 | 15 | 8,00 x 1,50 |
| GE HMO L 10 HJ 05 | M 10 x 1 | 1/2" -20 UNF | 53,0 | 9,0 | 37 | 15 | 8,00 x 1,50 |
| GE HMO L 12 HJ 05 | M 12 x 1,5 | 1/2" -20 UNF | 55,5 | 11,0 | 37 | 18 | 9,30 x 2,40 |
| GE HMO L 14 HJ 05 | M 14 x 1,5 | 1/2" -20 UNF | 56,5 | 11,0 | 37 | 20 | 11,30 x 2,40 |
| GE HMO L 14 HJ 06 | M 14 x 1,5 | 9/16" -18 UNF | 58,5 | 11,0 | 39 | 20 | 11,30 x 2,40 |
| GE HMO L 16 HJ 06 | M 16 x 1,5 | 9/16" -18 UNF | 60,0 | 12,5 | 39 | 23 | 13,30 x 2,40 |
| GE HMO L 16 HJ 08 | M 16 x 1,5 | 3/4" -16 UNF | 69,0 | 12,5 | 48 | 23 | 13,30 x 2,40 |
| GE HMO L 18 HJ 08 | M 18 x 1,5 | 3/4" -16 UNF | 70,5 | 13,5 | 48 | 25 | 15,30 x 2,40 |
| GE HMO L 18 HJ 10 | M 18 x 1,5 | 7/8" -14 UNF | 75,5 | 13,5 | 53 | 25 | 15,30 x 2,40 |
| GE HMO L 22 HJ 10 | M 22 x 1,5 | 7/8" -14 UNF | 78,0 | 15,0 | 53 | 28 | 19,30 x 2,40 |
| GE HMO L 22 HJ 12 | M 22 x 1,5 | 1.1/16" -12 UN | 89,0 | 15,0 | 63 | 28 | 19,30 x 2,40 |
| GE HMO L 27 HJ 12 | M 27 x 2 | 1.1/16" -12 UN | 92,5 | 18,5 | 63 | 32 | 23,47 x 2,95 |
| GE HMO L 27 HJ 16 | M 27 x 2 | 1.5/16" -12 UN | 102,0 | 18,5 | 72 | 32 | 23,47 x 2,95 |
| GE HMO L 33 HJ 16 | M 33 x 2 | 1.5/16" -12 UN | 102,5 | 18,5 | 72 | 42 | 29,74 x 2,95 |
| GE HMO L 42 HJ 20 | M 42 x 2 | 1.5/8" -12 UN | 121,0 | 19,0 | 88 | 50 | 38,00 x 3,00 |
| GE HMO L 48 HJ 24 | M 48 x 2 | 1.7/8" -12 UN | 136,0 | 22,0 | 98 | 56 | 44,04 x 3,00 |

SW = Anahtar genişliği