

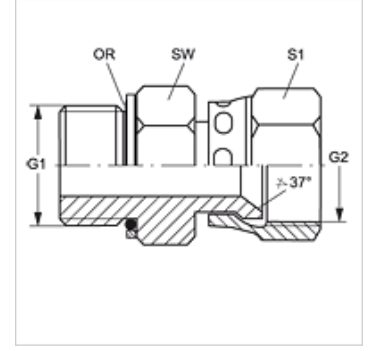
# GE HROK AJ

## Blok Adaptör

**HANSA FLEX**

### Özellikler

<b>Bağlantı 1</b>	BSP dış dış silindirik
<b>Sızdırmazlık şekli 1</b>	O-Ringli Çember Pullu
<b>Bağlantı 2</b>	UN/UNF Somunlu
<b>Sızdırmazlık şekli 2</b>	74° içe havşalı
<b>Model</b>	Blok Adaptör
<b>Dizayn</b>	düz
<b>Malzeme</b>	Çelik
<b>Yüzey koruması</b>	galvaniz kaplı



### Ürün

Tanım	Çalışma basıncı bar	G1	G2	SW (mm)	S1	OR
GE HROK 02 AJ 04	PN 315	G 1/8" -28	7/16" -20 UNF	16	14	7,97 x 1,88
GE HROK 02 AJ 05	PN 315	G 1/8" -28	1/2" -20 UNF	16	17	7,97 x 1,88
GE HROK 04 AJ	PN 315	G 1/4" -19	7/16" -20 UNF	19	14	10,77 x 2,62
GE HROK 04 AJ 05	PN 315	G 1/4" -19	1/2" -20 UNF	19	17	10,77 x 2,62
GE HROK 04 AJ 06	PN 250	G 1/4" -19	9/16" -18 UNF	19	19	10,77 x 2,62
GE HROK 04 AJ 08	PN 250	G 1/4" -19	3/4" -16 UNF	19	22	10,77 x 2,62
GE HROK 06 AJ 04	PN 315	G 3/8" -19	7/16" -20 UNF	22	14	13,94 x 2,62
GE HROK 06 AJ 05	PN 315	G 3/8" -19	1/2" -20 UNF	22	17	13,94 x 2,62
GE HROK 06 AJ	PN 250	G 3/8" -19	9/16" -18 UNF	22	19	13,94 x 2,62
GE HROK 06 AJ 08	PN 250	G 3/8" -19	3/4" -16 UNF	22	22	13,94 x 2,62
GE HROK 06 AJ 10	PN 200	G 3/8" -19	7/8" -14 UNF	22	27	13,94 x 2,62
GE HROK 08 AJ 06	PN 250	G 1/2" -14	9/16" -18 UNF	30	19	17,86 x 2,62
GE HROK 08 AJ	PN 250	G 1/2" -14	3/4" -16 UNF	30	22	17,86 x 2,62
GE HROK 08 AJ 10	PN 200	G 1/2" -14	7/8" -14 UNF	30	27	17,86 x 2,62
GE HROK 08 AJ 12	PN 200	G 1/2" -14	1.1/16" -12 UN	30	32	17,86 x 2,62
GE HROK 12 AJ 10	PN 200	G 3/4" -14	7/8" -14 UNF	36	27	23,47 x 2,62
GE HROK 12 AJ	PN 200	G 3/4" -14	1.1/16" -12 UN	36	32	23,47 x 2,62
GE HROK 12 AJ 16	PN 160	G 3/4" -14	1.5/16" -12 UN	36	41	23,47 x 2,62
GE HROK 16 AJ 12	PN 200	G 1" -11	1.1/16" -12 UN	46	32	29,74 x 3,53
GE HROK 16 AJ	PN 160	G 1" -11	1.5/16" -12 UN	46	41	29,74 x 3,53
GE HROK 16 AJ 20	PN 125	G 1" -11	1.5/8" -12 UN	46	50	29,74 x 3,53
GE HROK 20 AJ 16	PN 160	G 1.1/4" -11	1.5/16" -12 UN	50	41	37,69 x 3,53
GE HROK 20 AJ	PN 125	G 1.1/4" -11	1.5/8" -12 UN	50	50	37,69 x 3,53
GE HROK 20 AJ 24	PN 100	G 1.1/4" -11	1.7/8" -12 UN	50	60	37,69 x 3,53
GE HROK 24 AJ	PN 100	G 1.1/2" -11	1.7/8" -12 UN	55	60	44,04 x 3,53

SW, S1, S2 = Anahtar genişliği

### Yedek Parçalar

**KAMMRING G** Hazne Halkası, İnç