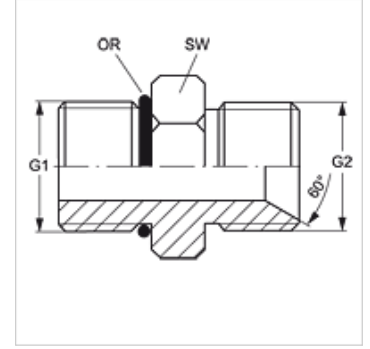


## Özellikler

Bağlantı 1	UN/UNF dış dış
Sızdırmazlık şekli 1	Padrada O-Ringli
Bağlantı 2	BSP dış dış silindirik
Sızdırmazlık şekli 2	60° içe havşalı
Model	Blok Adaptör
Dizayn	düz
Malzeme	Çelik
Yüzey koruması	galvaniz kaplı



## Ürün

Tanım	G1	G2	SW (mm)	OR
GE O 04 HB 02	7/16" -20 UNF	G 1/8" -28	17	8,92 x 1,83
GE O 04 HB	7/16" -20 UNF	G 1/4" -19	17	8,92 x 1,83
GE O 04 HB 06	7/16" -20 UNF	G 3/8" -19	21	8,92 x 1,83
GE O 05 HB 02	1/2" -20 UNF	G 1/8" -28	19	10,52 x 1,83
GE O 05 HB 04	1/2" -20 UNF	G 1/4" -19	19	10,52 x 1,83
GE O 05 HB 06	1/2" -20 UNF	G 3/8" -19	21	10,52 x 1,83
GE O 06 HB 04	9/16" -18 UNF	G 1/4" -19	21	11,90 x 1,98
GE O 06 HB	9/16" -18 UNF	G 3/8" -19	21	11,90 x 1,98
GE O 06 HB 08	9/16" -18 UNF	G 1/2" -14	28	11,90 x 1,98
GE O 08 HB 04	3/4" -16 UNF	G 1/4" -19	26	16,36 x 2,20
GE O 08 HB 06	3/4" -16 UNF	G 3/8" -19	26	16,36 x 2,20
GE O 08 HB	3/4" -16 UNF	G 1/2" -14	28	16,36 x 2,20
GE O 08 HB 10	3/4" -16 UNF	G 5/8" -14	30	16,36 x 2,20
GE O 08 HB 12	3/4" -16 UNF	G 3/4" -14	36	16,36 x 2,20
GE O 10 HB 06	7/8" -14 UNF	G 3/8" -19	30	19,18 x 2,46
GE O 10 HB 08	7/8" -14 UNF	G 1/2" -14	30	19,18 x 2,46
GE O 10 HB	7/8" -14 UNF	G 5/8" -14	30	19,18 x 2,46
GE O 10 HB 12	7/8" -14 UNF	G 3/4" -14	36	19,18 x 2,46
GE O 10 HB 16	7/8" -14 UNF	G 1" -11	40	19,18 x 2,46
GE O 12 HB 08	1.1/16" -12 UN	G 1/2" -14	36	23,47 x 2,95
GE O 12 HB 10	1.1/16" -12 UN	G 5/8" -14	36	23,47 x 2,95
GE O 12 HB	1.1/16" -12 UN	G 3/4" -14	36	23,47 x 2,95
GE O 12 HB 16	1.1/16" -12 UN	G 1" -11	45	23,47 x 2,95
GE O 16 HB 12	1.5/16" -12 UN	G 3/4" -14	45	29,74 x 2,95
GE O 16 HB	1.5/16" -12 UN	G 1" -11	45	29,74 x 2,95
GE O 16 HB 20	1.5/16" -12 UN	G 1.1/4" -11	55	29,74 x 2,95
GE O 20 HB 16	1.5/8" -12 UN	G 1" -11	55	37,47 x 3,00
GE O 20 HB	1.5/8" -12 UN	G 1.1/4" -11	55	37,47 x 3,00
GE O 24 HB 20	1.7/8" -12 UN	G 1.1/4" -11	62	43,69 x 3,00
GE O 24 HB	1.7/8" -12 UN	G 1.1/2" -11	62	43,69 x 3,00

SW = Anahtar genişliği