

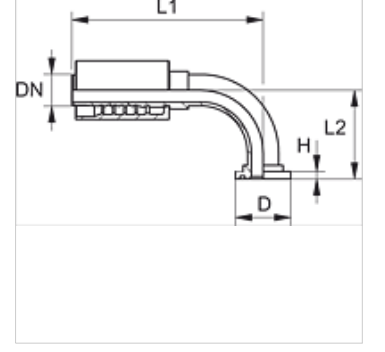
PA 700 SF6 90

Pres Armatür, SFS 90° Aç

HANSA FLEX

Özellikler

Kullanım Alanı	HD 700 Hortumları için Presarmatür
Bağlantı 1	SAE flanş bağlantısı 6000 PSI
Sızdırmazlık şekli 1	SF-O-Ringli ve düz alınlı
Kısaltma	SFS
Standart	SAE J518 ISO 6162-2
Bağlama	Atma Emniyetli (Interlock)
Teslimat kapsamı	Pres Nipel + Kabuk
Malzeme	Çelik
Yüzey koruması	galvaniz kaplı



Ürün

Tanım	DN	Boyut	İnç	Flanş büyüklüğü	Çalışma basıncı (bar)	TR (mm)	H (mm)	L1 (mm)	L2 (mm)
PA 713 SF6 90	12	8	1/2"	1/2"	420,0	31,8	7,7	86,0	46,0
PA 713 SF6 20 90	12	8	1/2"	3/4"	420,0	41,3	8,8	92,5	46,0
PA 716 SF6 13 90	16	10	5/8"	1/2"	420,0	31,8	7,7	108,0	48,0
PA 716 SF6 20 90	16	10	5/8"	3/4"	420,0	41,3	8,8	107,5	52,5
PA 716 SF6 25 90	16	10	5/8"	1"	420,0	47,6	9,5	108,0	57,0
PA 720 SF6 13 90 L 80	19	12	3/4"	1/2"	420,0	31,8	7,8	117,0	80,0
PA 720 SF6 13 90 L 100	19	12	3/4"	1/2"	420,0	31,8	7,8	117,0	100,0
PA 720 SF6 90	19	12	3/4"	3/4"	420,0	41,3	8,8	127,5	62,0
PA 720 SF6 90 L 52	19	12	3/4"	3/4"	420,0	41,3	8,8	127,5	52,0
PA 720 SF6 90 L 80	19	12	3/4"	3/4"	420,0	41,3	8,8	127,5	80,0
PA 720 SF6 90 L 85	19	12	3/4"	3/4"	420,0	41,3	8,8	127,5	85,0
PA 720 SF6 90 L 100	19	12	3/4"	3/4"	420,0	41,3	8,8	127,5	100,0
PA 720 SF6 90 L 150	19	12	3/4"	3/4"	420,0	41,3	8,8	127,5	150,0
PA 720 SF6 25 90	19	12	3/4"	1"	420,0	47,6	9,6	127,5	68,0
PA 725 SF6 20 90	25	16	1"	3/4"	420,0	41,3	8,8	152,5	70,5
PA 725 SF6 90	25	16	1"	1"	420,0	47,6	9,6	158,0	74,0
PA 725 SF6 90 L 100	25	16	1"	1"	420,0	47,6	9,6	158,0	100,0
PA 725 SF6 90 L 200	25	16	1"	1"	420,0	47,6	9,6	158,0	200,0
PA 725 SF6 32 90	25	16	1"	1.1/4"	420,0	54,0	10,4	156,0	83,5
PA 732 SF6 25 90 S	31	20	1.1/4"	1"	420,0	47,6	9,5	162,0	80,0
PA 732 SF6 90 S	31	20	1.1/4"	1.1/4"	420,0	54,0	10,3	173,5	94,5
PA 732 SF6 90 L 120 S	31	20	1.1/4"	1.1/4"	420,0	54,0	10,3	173,5	120,0
PA 732 SF6 40 90 S	31	20	1.1/4"	1.1/2"	420,0	63,5	12,6	174,5	100,0
PA 740 SF6 32 90	38	24	1.1/2"	1.1/4"	420,0	54,0	10,3	193,0	100,0
PA 740 SF6 90	38	24	1.1/2"	1.1/2"	420,0	63,5	12,6	213,5	110,0
PA 740 SF6 50 90	38	24	1.1/2"	2"	420,0	79,4	12,6	215,5	126,0
PA 750 SF6 90	51	32	2"	2"	420,0	79,4	12,6	268,0	138,0

Ürün türleri

PA 700 SF6 90 VA Pres Armatür, SFS 90° Aç, Paslanmaz çelik