

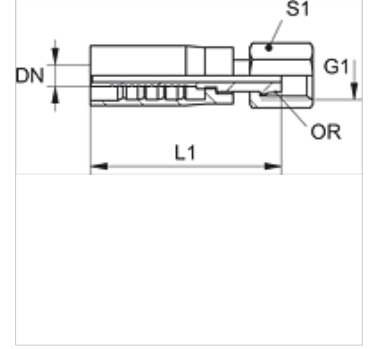
PAY 300 AOS

Pres Armatür, DKOS

HANSA FLEX

Özellikler

Bağlantı 1	metrik Somunlu
Sızdırmazlık şekli 1	O-Ringli 24° dışa havşalı
Kısaltma	DKOS
Standart	ISO 8434-1
Teslimat kapsamı	Pres Nipel + Kabuk
Malzeme	Çelik
Yüzey koruması	galvaniz kaplı



Ürün

Tanım	DN	Boyut	İnç	G1	Borunun dış çapı için (mm)	L1 (mm)	S1	OR
PAY 306 AOS 04	6	4	1/4"	M 16 x 1,5	8	60,0	19	6,0 x 1,5
PAY 306 AOS	6	4	1/4"	M 18 x 1,5	10	65,0	22	7,5 x 1,5
PAY 308 AOS	8	5	5/16"	M 20 x 1,5	12	63,0	24	9,0 x 1,5
PAY 308 AOS 13	8	5	5/16"	M 24 x 1,5	16	-	-	12,0 x 2,0
PAY 310 AOS 08	10	6	3/8"	M 20 x 1,5	12	-	-	9,0 x 1,5
PAY 310 AOS	10	6	3/8"	M 22 x 1,5	14	71,0	27	12,0 x 2,0
PAY 313 AOS	12	8	1/2"	M 24 x 1,5	16	78,0	30	12,0 x 2,0
PAY 313 AOS 16	12	8	1/2"	M 30 x 2	20	-	-	16,0 x 2,5
PAY 316 AOS	16	10	5/8"	M 30 x 2	20	91,0	36	16,0 x 2,5
PAY 320 AOS	19	12	3/4"	M 36 x 2	25	96,0	46	20,0 x 2,5
PAY 325 AOS	25	16	1"	M 42 x 2	30	98,0	50	25,0 x 2,5
PAY 332 AOS	31	20	1.1/4"	M 52 x 2	38	113,0	60	33,0 x 2,5