

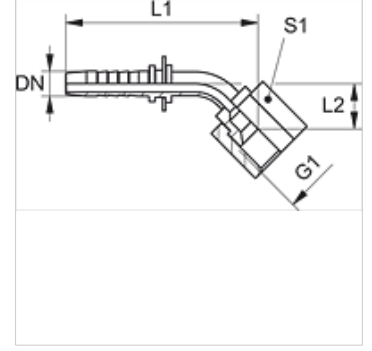
PN AJ 45

Pres Nipel, DKJ 45° Aç

HANSA FLEX

Özellikler

Kullanım Alanı	HD 100 ila HD 400, KP, TE hortumları için pres nipel
Bağlantı 1	UN/UNF Somunlu
Sızdırmazlık şekli 1	74° içe havşalı
Kısaltma	DKJ
Standart	ISO 8434-2
Malzeme	Çelik
Yüzey koruması	galvaniz kaplı



Açıklama

Uygun kabuğu lütfen hortum tipine göre seçin.

Ürün

Tanım	DN	Boyut	İnç	Çalışma basıncı (bar)	G1	L1 (mm)	L2 (mm)	S1
PN 04 AJ 06 45	5	3	3/16"	410,0	7/16" -20 UNF	54,5	12,5	14
PN 06 AJ 45	6	4	1/4"	410,0	7/16" -20 UNF	61,5	14,0	14
PN 06 AJ 08 45	6	4	1/4"	410,0	1/2" -20 UNF	62,0	13,5	17
PN 06 AJ 10 45	6	4	1/4"	350,0	9/16" -18 UNF	62,5	14,0	19
PN 08 AJ 45	8	5	5/16"	410,0	1/2" -20 UNF	68,5	18,5	17
PN 08 AJ 10 45	8	5	5/16"	350,0	9/16" -18 UNF	64,0	15,0	19
PN 10 AJ 08 45	10	6	3/8"	350,0	1/2" -20 UNF	73,0	18,5	17
PN 10 AJ 45	10	6	3/8"	350,0	9/16" -18 UNF	70,5	17,5	19
PN 10 AJ 13 45	10	6	3/8"	345,0	3/4" -16 UNF	72,0	19,0	24
PN 10 AJ 16 45	10	6	3/8"	345,0	7/8" -14 UNF	72,5	19,5	27
PN 13 AJ 45	12	8	1/2"	345,0	3/4" -16 UNF	80,5	20,5	24
PN 13 AJ 16 45	12	8	1/2"	345,0	7/8" -14 UNF	81,5	21,5	27
PN 13 AJ 20 45	12	8	1/2"	345,0	1.1/16" -12 UN	82,5	22,5	32
PN 16 AJ 14 45	16	10	5/8"	345,0	1.3/16" -12 UN	93,5	30,0	36
PN 16 AJ 45	16	10	5/8"	345,0	7/8" -14 UNF	96,5	25,5	27
PN 16 AJ 20 45	16	10	5/8"	345,0	1.1/16" -12 UN	97,0	26,0	32
PN 20 AJ 14 45	19	12	3/4"	345,0	1.3/16" -12 UN	108,5	29,0	36
PN 20 AJ 45	19	12	3/4"	345,0	1.1/16" -12 UN	108,0	28,5	32
PN 20 AJ 25 45	19	12	3/4"	275,0	1.5/16" -12 UN	108,5	29,0	41
PN 25 AJ 14 45	25	16	1"	275,0	1.3/16" -12 UN	117,5	32,5	36
PN 25 AJ 45	25	16	1"	275,0	1.5/16" -12 UN	134,5	32,5	41
PN 25 AJ 32 45	25	16	1"	200,0	1.5/8" -12 UN	135,5	34,0	50
PN 32 AJ 45	31	20	1.1/4"	200,0	1.5/8" -12 UN	161,0	41,0	50
PN 32 AJ 40 45	31	20	1.1/4"	170,0	1.7/8" -12 UN	162,0	42,0	60
PN 40 AJ 45	38	24	1.1/2"	170,0	1.7/8" -12 UN	184,5	46,5	60
PN 50 AJ 45	51	32	2"	170,0	2.1/2" -12 UN	231,0	67,0	75

Ürün türleri

PN AJ 45 VA Pres Nipel, DKJ 45° Aç, Paslanmaz çelik