

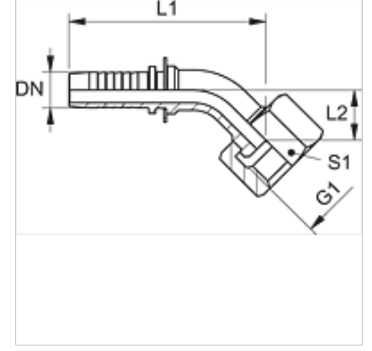
# PN AJF 45

Pres Nipel, ORFS 45° Aç

**HANSA FLEX**

## Özellikler

Kullanım Alanı	HD 100 ila HD 400, KP, TE hortumları için pres nipel
Bağlantı 1	UN/UNF Somunlu
Sızdırmazlık şekli 1	düzalın
Kısaltma	ORFS
Standart	ISO 8434-3
Malzeme	Çelik
Yüzey koruması	galvaniz kaplı



## Açıklama

Uygun kabuğu lütfen hortum tipine göre seçin.

## Ürün

Tanım	DN	Boyut	İnç	Çalışma basıncı (bar)	G1	L1 (mm)	L2 (mm)	S1
PN 06 AJF 45	6	4	1/4"	413,0	9/16" -18 UNF	60,0	12,0	17
PN 06 AJF 45 L10	6	4	1/4"	413,0	9/16" -18 UNF	60,0	10,0	17
PN 06 AJF 10 45	6	4	1/4"	413,0	11/16" -16 UN	61,0	13,5	22
PN 08 AJF 10 45	8	5	5/16"	413,0	11/16" -16 UN	80,0	21,0	22
PN 08 AJF 10 45 L11	8	5	5/16"	413,0	11/16" -16 UN	80,0	11,0	22
PN 10 AJF 45	10	6	3/8"	413,0	11/16" -16 UN	69,0	16,0	22
PN 10 AJF 45 L11	10	6	3/8"	413,0	11/16" -16 UN	69,0	11,0	22
PN 10 AJF 13 45	10	6	3/8"	413,0	13/16" -16 UN	69,5	16,5	24
PN 13 AJF 10 45 L13	12	8	1/2"	413,0	11/16" -16 UN	78,0	13,0	22
PN 13 AJF 45	12	8	1/2"	413,0	13/16" -16 UN	78,0	17,0	24
PN 13 AJF 45 L15	12	8	1/2"	413,0	13/16" -16 UN	78,0	15,0	24
PN 13 AJF 16 45	12	8	1/2"	413,0	1" -14 UNS	80,5	19,5	30
PN 16 AJF 45	16	10	5/8"	413,0	1" -14 UNS	93,5	22,5	30
PN 16 AJF 45 L16	16	10	5/8"	413,0	1" -14 UNS	93,5	16,0	30
PN 20 AJF 16 45 L21	19	12	3/4"	413,0	1" -14 UNS	104,0	21,0	30
PN 20 AJF 45	19	12	3/4"	413,0	1.3/16" -12 UN	104,0	25,0	36
PN 20 AJF 45 L21	19	12	3/4"	413,0	1.3/16" -12 UN	104,0	21,0	36
PN 20 AJF 25 45 L21	19	12	3/4"	413,0	1.7/16" -12 UN	104,0	21,0	36
PN 25 AJF 45	25	16	1"	413,0	1.7/16" -12 UN	130,5	27,5	41
PN 25 AJF 45 L24	25	16	1"	413,0	1.7/16" -12 UN	130,5	24,0	41
PN 32 AJF 45	31	20	1.1/4"	275,0	1.11/16" -12 UN	155,0	34,0	50
PN 40 AJF 45	38	24	1.1/2"	275,0	2" -12 UN	177,0	38,0	60