

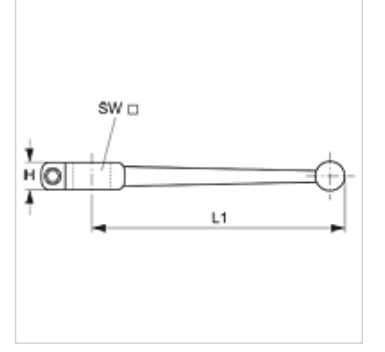
BK ALU GRIFF SW

Vana Kolu

HANSA FLEX

Özellikler

Dizayn	düz
Malzeme	Alüminyum
Kullanım alanı	Blok Tipi Vanalar



Ürün

Tanım	H (mm)	L1 (mm)	SW (mm)
BK ALU GRIFF SW 9	11,0	150,0	9
BK ALU GRIFF SW 12	12,0	175,0	12
BK ALU GRIFF SW 14	12,0	200,0	14
BK ALU GRIFF SW 17	16,0	280,0	17
BK ALU GRIFF SW 19	-	300,0	19