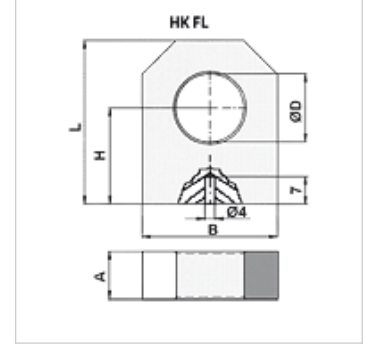
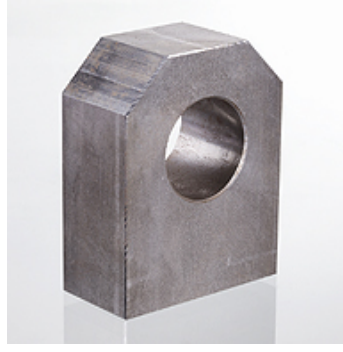


HK FL

Döner yatak FL

Özellikler

Malzeme Çelik S355J0 (Fe510C)



Ürün

Tanım	A (mm)	B (mm)	H (mm)	L (mm)	Ø D (mm)	Ağırlık (kg)
HK FL 16	15,0	35,0	34,0	50,0	16,20	0,19
HK FL 20	20,0	40,0	40,0	60,0	20,25	0,38
HK FL 25	25,0	50,0	45,0	65,0	25,25	0,58
HK FL 30	30,0	60,0	50,0	75,0	30,25	0,79
HK FL 35	35,0	70,0	55,0	85,0	35,25	0,98
HK FL 40	40,0	80,0	60,0	100,0	40,25	1,22