

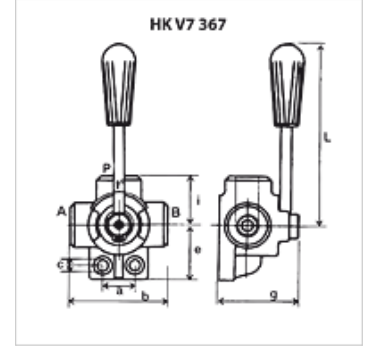
HK V7 367

3/3 yollu deęiřtirme valfi

HANSA FLEX

Özellikler

Model	Tip A – orta konum açık Tip C – orta konum kapalı
Malzeme	Mahfaza: Dökme, çelik iç parçalar



Açıklama

Rotary slide valves can be pressurised from all sides and are designed to have less internal leakage

Ürün

Tanım	Baskı max. (bar)	Baęlantılar	Q max. (L/min)	a (mm)	b (mm)	c (mm)	e (mm)	g (mm)	i (mm)	L (mm)	Aęırlık (kg)
HK V7 367 A06	250	3/8"	40	24	73	8,5	42	62	36	110	0,92
HK V7 367 A08	250	1/2"	60	30	85	11,0	53	70	43	120	1,46
HK V7 367 A12	220	3/4"	120	32	91	11,0	54	80	47	125	1,86
HK V7 367 A16	220	1"	180	32	98	11,0	64	90	51	130	2,56
HK V7 367 C06	250	3/8"	40	24	73	8,5	42	62	36	110	0,92
HK V7 367 C08	250	1/2"	60	30	85	11,0	53	70	43	120	1,46
HK V7 367 C12	220	3/4"	120	32	91	11,0	54	80	47	125	1,86
HK V7 367 C16	220	1"	180	32	98	11,0	64	90	51	130	2,56