

TRI KLAMMER VA

Clamp bracket, VA

HANSA FLEX

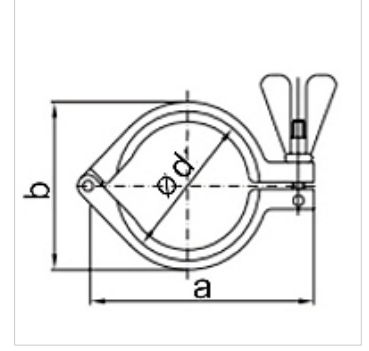
Özellikler

Uygulama Clamping components for TRI-clamp connections

Standart DIN 32676

Model Clamp stainless steel

Malzeme Paslanmaz çelik



Siparişe ilgili bilgiler

İstek halinde farklı modeller sunulabilir

Ürün

Tanım	a (mm)	b (mm)	Ø d (mm)
TRI KLAMMER 34 VA	63,0	45,0	34,0
TRI KLAMMER 50.5 VA	88,0	64,0	50,5
TRI KLAMMER 64 VA	105,0	77,0	64,0
TRI KLAMMER 91 VA	137,0	104,0	91,0
TRI KLAMMER 119 VA	168,0	132,0	119,0