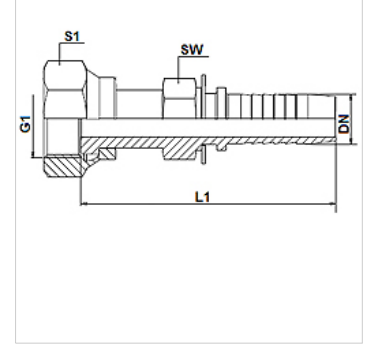


Özellikler

Kullanım Alanı	HD 100 ila HD 400, KP, TE hortumları için pres nipeli
Bağlantı 1	UN/UNF Somunlu
Sızdırmazlık şekli 1	düzalın
Kısaltma	ORFS
Standart	ISO 8434-3
Özel Nitelikler	with holder hexagon
Malzeme	Çelik
Yüzey koruması	galvaniz kaplı



Ürün

Tanım	DN	Boyut	İnç	Çalışma basıncı (bar)	G1	L1 (mm)	S1	SW (mm)
PN 06 AJF SK	6	4	1/4"	413,0	9/16" -18 UNF	58,0	19	14
PN 06 AJF 10 SK	6	4	1/4"	413,0	11/16" -16 UN	61,5	22	17
PN 08 AJF 10 SK	8	5	5/16"	413,0	11/16" -16 UN	61,5	22	17
PN 10 AJF SK	10	6	3/8"	413,0	11/16" -16 UN	65,0	22	17
PN 10 AJF 13 SK	10	6	3/8"	413,0	13/16" -16 UN	67,5	27	19
PN 13 AJF 10 SK	12	8	1/2"	413,0	11/16" -16 UN	74,0	19	22
PN 13 AJF SK	12	8	1/2"	413,0	13/16" -16 UN	68,5	27	19
PN 13 AJF 16 SK	12	8	1/2"	413,0	1" -14 UNS	74,0	30	24
PN 13 AJF 20 SK	12	8	1/2"	413,0	1.3/16" -12 UN	79,5	36	30
PN 16 AJF SK	16	10	5/8"	413,0	1" -14 UNS	78,5	30	24
PN 16 AJF 20 SK	16	10	5/8"	413,0	1.3/16" -12 UN	83,5	36	30
PN 20 AJF 16 SK	19	12	3/4"	413,0	1" -14 UNS	89,0	30	27
PN 20 AJF SK	19	12	3/4"	413,0	1.3/16" -12 UN	88,5	36	30
PN 20 AJF 25 SK	19	12	3/4"	413,0	1.7/16" -12 UN	91,5	41	36
PN 25 AJF 20 SK	25	16	1"	413,0	1.3/16" -12 UN	111,5	36	36
PN 25 AJF SK	25	16	1"	413,0	1.7/16" -12 UN	97,5	41	36
PN 25 AJF 32 SK	25	16	1"	275,0	1.11/16" -12 UN	111,5	41	50
PN 32 AJF SK	31	20	1.1/4"	275,0	1.11/16" -12 UN	107,0	50	41
PN 40 AJF SK	38	24	1.1/2"	275,0	2" -12 UN	115,5	60	50