

K-KOMPAKTEJEKTOREN CP SYST

Compact ejectors »CP«, system monitoring function: digital vacuum switch

HANSA FLEX

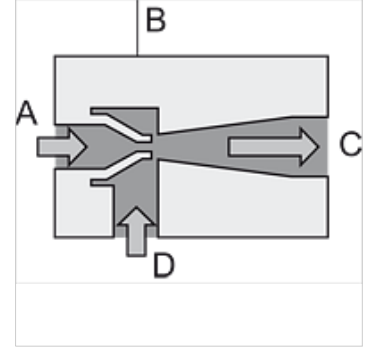
Özellikler

Özellikler Vacuum generator with integrated control valves and system monitoring functions
Gripping and blowing off can be controlled without the need for external valves
Optimised air consumption thanks to many models with differing suction capacities
Minimum energy costs in continuous operation thanks to automatic air-saving
Easy adjustment with foil keypad and LED display of the settings

Uygulama Handling of air-tight or slightly porous workpieces in fully automated handling systems
e.g. in the robotics, automotive, packaging, electronics, electrical engineering and metalworking industries

Temel cisim Anodised aluminium

Entegre olarak NC blow-off valve, filter, silencer, non-return valve



Açıklama

Mini-sensor with housing and connection cable, analogue or digital output signal. Minimum size and low weight combined with high measuring accuracy. Diğer bilgiler, istek üzerindedir.

Açıklama

Purely pneumatic vacuum ejector that operates on the Venturi principle. Compressed air enters the ejector at A and flows through the nozzle B. This results in a vacuum immediately behind the nozzle outlet, and air is drawn in through the vacuum inlet D. This air and the driving air leave the ejector via the silencer C.

Ek bilgiler

Important: Order two connection plugs per ejector. A cable set is included with the compact ejector with automatic air-saving.

Ürün

Tanım	Meme büyüklüğü	Emme valfi bekleme konumu	Basıncılı hava bağlantısı	Vakum bağlantısı	Hava tüketimi emme (L/min)	maks. emme kapasitesi (L/min)	Tip	Çalışma basıncı (bar)
K- 07 45 01 35	1,5	NC	G 1/8 IG	G1/8 female	117,0	65,0	72mm x 20mm x 164mm	5,0
K- 07 45 01 36	1,5	NO	G 1/8 IG	G1/8 female	117,0	65,0	72mm x 20mm x 164mm	5,0
K- 07 45 01 39	2,0	NC	G 1/4 IG	G 3/8 female	190,0	116,0	113mm x 22mm x 168mm	6,0
K- 07 45 01 40	2,0	NO	G 1/4 IG	G 3/8 female	190,0	116,0	113mm x 22mm x 168mm	6,0
K- 07 45 01 43	2,5	NC	G 1/4 IG	G 3/8 female	310,0	161,0	113mm x 22mm x 183mm	6,0
K- 07 45 01 44	2,5	NO	G 1/4 IG	G 3/8 female	310,0	161,0	113mm x 22mm x 183mm	6,0

Aksesuar

K-ANSCH KABEL VAKUUMSCHAL	Connection cable for vacuum switch
K-ERSATZSCHALLDAEMPFER 2	Replacement silencers
K-ERSATZFILTERELEMENTE	Replacement filter element