

# K-SAUGPLATTENAUFHAENGUNG

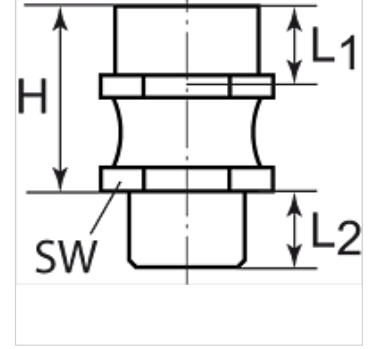
Flexible suction pad mountings

**HANSA FLEX**

## Özellikler

**Uygulama** For handling of workpieces with sloping using large-area vacuum gripper  
Handling of large plates that can sag when lifting  
In combination with spring plungers to compensate height-differences and Unevenness

**Özel Nitelikler** very good adaptation to oblique workpiece surfaces  
automatic Rückstellung in die Ausgangslage  
vacuum-tight design with integrated protection against damage



## Açıklama

Diğer bilgiler, istek üzerinedir.

## Açıklama

Flexible suction pad mounting. By flexing in all directions, this mounting allows the suction pad to better adapt itself to sloping workpieces.

## Ürün

| Tanım          | Dişli 1 iç | Dişli 2 dış | H<br>(mm) | Malzeme       | L1<br>(mm) | L2<br>(mm) | Açı W<br>(°) | Dikey yük<br>(N/m <sup>2</sup> ) | Bükme momenti<br>(N/m <sup>2</sup> ) | SW<br>(mm) |
|----------------|------------|-------------|-----------|---------------|------------|------------|--------------|----------------------------------|--------------------------------------|------------|
| K- 07 45 01 47 | G 1/4      | M 10 x 1.25 | 27,0      | Steel, rubber | 10,5       | 8,0        | 12           | 500                              | 8,0                                  | 17         |
| K- 07 45 01 48 | G 1/4      | G 1/4       | 27,0      | Steel, rubber | 12,0       | 12,0       | 12           | 750                              | 10,0                                 | 17         |