

# K-HAND-SCHIEBEVENTIL

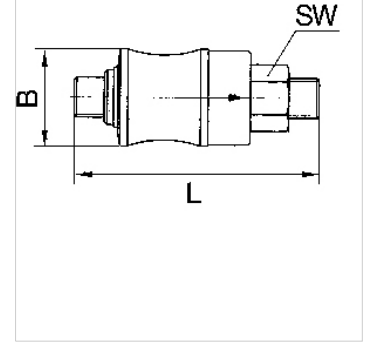
Manual slide valves

**HANSA FLEX**

## Özellikler

Çalışma basıncı maks. 10 bar

İşletim ısısı max. +70 °C



## Açıklama

Diğer bilgiler, istek üzerinedir.

## Açıklama

For use on devices that have to be vented whenever they are turned off, either because of safety regulations or for technical reasons. The pneumatic devices are disconnected from the system and simultaneously vented each time they are shut off.

## Ürün

Tanım	Mil	B (mm)	L (mm)	SW (mm)
K- 07 30 15 92	G 1/8	21,0	67,0	14
K- 07 30 15 93	G 1/4	24,0	77,0	17
K- 07 30 15 94	G 3/8	31,0	87,0	22
K- 07 30 15 95	G 1/2	35,0	104,0	26