

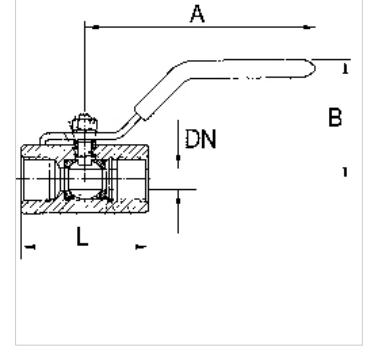
K-BKR SERIE VALVE LINE

Stainless steel ball valves

HANSA FLEX

Özellikler

| | |
|------------------|---|
| Çalışma basıncı | max. 70 bar, depending on temperature and nominal size |
| İşletim ısısı | -15 °C to +110 °C, depending on port size and temperature |
| Dışlı açıklaması | G thread acc. DIN EN ISO 228-1 |
| Conta | PTFE |
| El kolu | Stainless steel 1.4301 |
| Malzeme | sealing: PTFE |



Açıklama

Diğer bilgiler, istek üzerinedir.

Ürün

| Tanım | DN | Mil | A (mm) | B (mm) | L (mm) | Malzeme |
|----------------|----|-------|-----------|-----------|-----------|------------------------|
| K- 07 30 15 24 | 13 | 1/4 | 99,5 | 47,0 | 47,5 | Stainless steel 1.4408 |
| K- 07 30 15 25 | 13 | 3/8 | 99,5 | 47,0 | 47,5 | Stainless steel 1.4408 |
| K- 07 30 15 26 | 15 | 1/2 | 99,5 | 48,0 | 58,0 | Stainless steel 1.4408 |
| K- 07 30 15 27 | 20 | 3/4 | 126,5 | 62,0 | 65,0 | Stainless steel 1.4408 |
| K- 07 30 15 28 | 25 | 1 | 126,5 | 69,0 | 77,0 | Stainless steel 1.4408 |
| K- 07 30 15 29 | 32 | 1 1/4 | 153,0 | 81,0 | 90,0 | Stainless steel 1.4408 |
| K- 07 30 15 30 | 38 | 1 1/2 | 153,0 | 87,0 | 98,5 | Stainless steel 1.4408 |
| K- 07 30 15 31 | 50 | 2 | 192,0 | 95,0 | 122,0 | Stainless steel 1.4408 |