

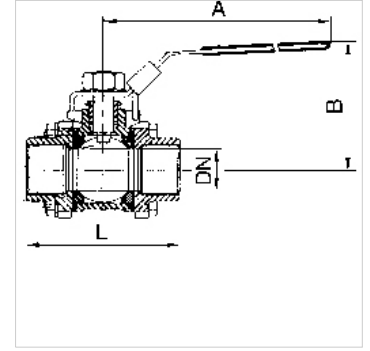
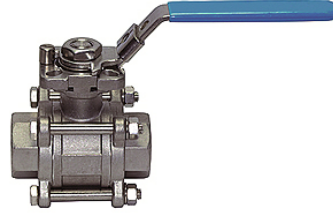
K-BKR GEWINDEAUSLAUF VA

Ball valves

HANSA FLEX

Özellikler

Çalışma basıncı	max. 70 bar (depending on temperature and nominal size)
1.1/4" to 1.1/2"	20 °C: 70 bar, 60 °C: 55 bar, 100 °C: 35 bar, 150 °C: 6 bar, 180 °C: 4 bar, 200 °C: 0 bar
1/4" bis 1"	20 °C: 70 bar, 60 °C: 65 bar, 100 °C: 45 bar, 150 °C: 7 bar, 180 °C: 4 bar, 200 °C: 0 bar
2"	20 °C: 60 bar, 60 °C: 40 bar, 100 °C: 30 bar, 150 °C: 5 bar, 180 °C: 4 bar, 200 °C: 0 bar
İşletim ısısı	200 °C at 0 bar
Conta	15 % RPTFE (glass fibre reinforced PTFE)
El kolu	Stainless steel 1.4301



Açıklama

G thread acc. to DIN EN ISO 228-1, with ISO flange plate (acc. to ISO 5211)

Diğer bilgiler, istek üzerinedir.

Siparişe ilgili bilgiler

For use on devices that have to be vented whenever they are turned off, either because of safety regulations or for technical reasons. The pneumatic devices are disconnected from the system and simultaneously vented each time they are shut off.

Ek bilgiler

G thread acc. to DIN EN ISO 228-1, with ISO flange plate (acc. to ISO 5211)

Ürün

Tanım	DN	Mil	A (mm)	B (mm)	L (mm)	Malzeme
K- 07 30 14 86	8	G 1/4	123,0	74,0	63,0	Stainless steel 1.4401/1.4408
K- 07 30 14 87	10	G 3/8	123,0	74,0	63,0	Stainless steel 1.4401/1.4408
K- 07 30 14 88	15	G 1/2	123,0	74,0	63,0	Stainless steel 1.4401/1.4408
K- 07 30 14 89	20	G 3/4	123,0	78,0	73,0	Stainless steel 1.4401/1.4408
K- 07 30 14 90	25	G 1	153,0	89,0	85,0	Stainless steel 1.4401/1.4408
K- 07 30 14 91	32	G 1 1/4	153,0	94,0	96,0	Stainless steel 1.4401/1.4408
K- 07 30 14 92	40	G 1 1/2	183,0	110,0	114,0	Stainless steel 1.4401/1.4408
K- 07 30 14 93	50	G 2	183,0	118,0	134,0	Stainless steel 1.4401/1.4408