

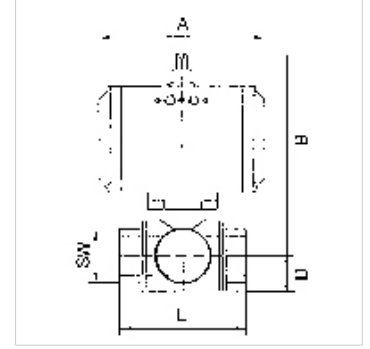
K-BKR STAN DOP VA

Stainless steel ball valves, double-acting actuator

HANSA FLEX

Özellikler

| | |
|----------------------|--|
| Model | Pneumatic actuators, in double- or single acting version, with integrated end-position feedback |
| Çalışma basıncı | max. 63 bar (depending on temperature and nominal size) |
| İşletim ısısı | -20 °C to +70°C |
| Dönüş açısı | 90 ° |
| Normlu arabirimler | Interface actuator / valve: four or eight threaded holes in the drive housing according to EN ISO 5211, Interface actuator / S |
| Kumanda basıncı | 5.5 bar |
| Valf adaptörü | Acc. to NAMUR |
| Tahrik | aluminium eloxed |
| Tahrik contası | NBR |
| Küresel vana | Stainless steel 1.4401, with ISO-flange plate |
| Küresel vana contası | PTFE |



Açıklama

Diğer bilgiler, istek üzerinedir.

Açıklama

2-way cock, 3-piece, full bore

Ürün

| Tanım | DN | Mil | A (mm) | B (mm) | TR (mm) | L (mm) | SW (mm) |
|----------------|----|----------|-----------|-----------|------------|-----------|------------|
| K- 07 30 02 42 | 15 | Rp 1/2 | 133,0 | 144,0 | 24,0 | 75,0 | 29 |
| K- 07 30 02 43 | 15 | Rp 1/2 | 116,0 | 135,0 | 24,0 | 75,0 | 29 |
| K- 07 30 02 44 | 20 | Rp 3/4 | 133,0 | 148,0 | 27,0 | 80,0 | 35 |
| K- 07 30 02 45 | 20 | Rp 3/4 | 116,0 | 139,0 | 27,0 | 80,0 | 35 |
| K- 07 30 02 46 | 25 | Rp 1 | 133,0 | 157,0 | 30,0 | 90,0 | 41 |
| K- 07 30 02 47 | 32 | Rp 1 1/4 | 137,0 | 176,0 | 37,0 | 110,0 | 50 |
| K- 07 30 02 48 | 40 | Rp 1 1/2 | 137,0 | 186,0 | 40,0 | 120,0 | 58 |
| K- 07 30 02 49 | 50 | Rp 2 | 161,0 | 207,0 | 50,0 | 140,0 | 74 |
| K- 07 30 02 50 | 65 | Rp 2 1/2 | 180,0 | 238,0 | 60,0 | 185,0 | 89 |
| K- 07 30 02 51 | 80 | Rp 3 | 209,0 | 257,0 | 82,0 | 205,0 | 104 |