

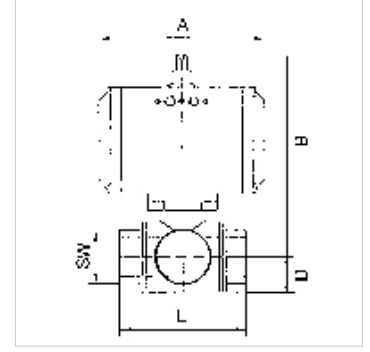
K-3 BKR T DOPPELWIRKEND T2

Stainless steel ball valves, 3-way, with double-acting actuator, T-bore, normal position

HANSA FLEX

Özellikler

| | |
|-----------------------------|--|
| Model | Pneumatic actuators, in double- or single acting version, with integrated end-position feedback |
| Delme | T-Form |
| Çalışma basıncı | max. 63 bar (depending on temperature and nominal size) |
| İşletim ısısı | -20 °C to +70 °C |
| Dönüş açısı | 90 ° |
| Normlu arabirimler | Interface actuator / valve: four or eight threaded holes in the drive housing according to EN ISO 5211, Interface actuator / S |
| Kumanda basıncı | 5.5 bar |
| Valf adaptörü | Acc. to NAMUR |
| Tahrik | aluminium eloxed |
| Tahrik contası | NBR |
| Küresel vana | Stainless steel 1.4401, with ISO-flange plate |
| Küresel vana contası | PTFE/FKM |



Açıklama

G thread acc. to DIN EN ISO 228-1, with ISO flange plate (acc. to ISO 5211)
Diğer bilgiler, istek üzerinedir.

Açıklama

3-way cock, reduced bore

Ek bilgiler

Other T-positions on request

Ürün

| Tanım | DN | Mil | Konum | A (mm) | B (mm) | TR (mm) | L (mm) | SW (mm) |
|----------------|----|----------|-------|-----------|-----------|------------|-----------|------------|
| K- 07 30 03 00 | 15 | Rp 1/2 | T 2 | 116,0 | 130,0 | 20,0 | 73,0 | 27 |
| K- 07 30 03 02 | 20 | Rp 3/4 | T 2 | 116,0 | 136,0 | 23,0 | 80,0 | 32 |
| K- 07 30 03 04 | 25 | Rp 1 | T 2 | 133,0 | 148,5 | 28,5 | 90,0 | 41 |
| K- 07 30 03 06 | 32 | Rp 1 1/4 | T 2 | 133,0 | 153,5 | 36,5 | 90,0 | 50 |
| K- 07 30 03 08 | 40 | Rp 1 1/2 | T 2 | 137,0 | 173,0 | 37,0 | 105,0 | 55 |
| K- 07 30 03 10 | 50 | Rp 2 | T 2 | 161,0 | 196,5 | 47,5 | 115,0 | 71 |