

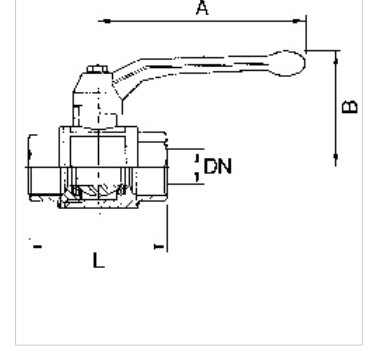
# K-BKR IG AG

Brass ball valves, female/male thread

**HANSA FLEX**

## Özellikler

Çalışma basıncı	Max. 25 bar
Çalışma basıncı	Max. 28 bar
İşletim ısısı	-20 oC to +100 oC
Dişli açıklaması	G thread acc. DIN EN ISO 228-1
Gövde	Nickel-plated brass
Kol	Steel Q235-A (1.0038) with blue PVC coating
Bilye	Nickel-plated brass
Bilye contası	PTFE
Mil contası	NBR



## Açıklama

Diğer bilgiler, istek üzerinedir.

## Ürün

Tanım	DN	Mil	A (mm)	B (mm)	L (mm)
K- 07 30 21 53	8	1/4	75,0	38,0	50,0
K- 07 30 21 54	10	3/8	75,0	37,0	47,0
K- 07 30 21 55	15	1/2	98,0	45,0	59,0
K- 07 30 21 56	19	3/4	98,0	49,0	65,0
K- 07 30 21 57	25	1	118,0	55,0	74,0
K- 07 30 21 58	31	1 1/4	118,0	58,0	83,0
K- 07 30 21 59	37	1 1/2	138,0	71,0	95,0
K- 07 30 21 60	45	2	160,0	85,0	111,0