

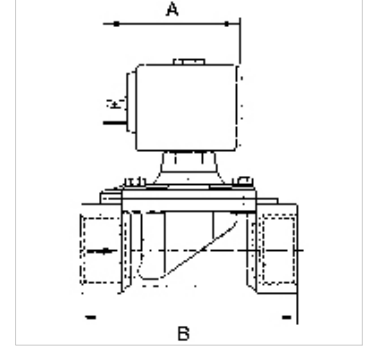
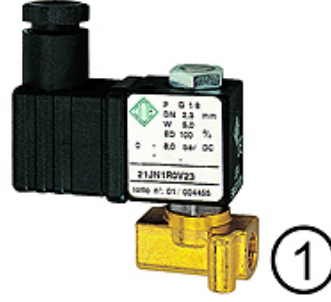
# K-MV G D 24 V DC 1

Normally closed, directly operated, 24 V DC (direct current)

**HANSA FLEX**

## Özellikler

Elektrik bağlantısı	For connector socket Pg 9/Pg 11, acc. to ISO 4400
Koruma sınıfı	IP65 (with connector socket fitted)
Akışkan sıcaklığı	-10 °C to +90 °C (NBR); -10 °C bis +140 °C (FKM)
Mahafza, valf yuvası	Brass
İç parçalar	Stainless steel
Conta	Perbunan (NBR) or FKM



## Açıklama

Diğer bilgiler, istek üzerinedir.

## Açıklama

Economy series available in three different versions: Directly operated, Combined operation, Pilot-operated. For all applications with compressed air, neutral gases or low-viscosity, neutral media.

## Ürün

Tanım	Mil	Maks. çalışma basıncı (bar)	NW	Yalıtım malzemesi	A (mm)	B (mm)	Form
K- 07 30 23 12	G 1/8	8	2,3	FKM	41,0	30,0	1
K- 07 30 23 13	G 1/8	9	2,5	FKM	54,0	40,0	2
K- 07 30 23 14	G 1/8	6	3,0	FKM	54,0	40,0	2
K- 07 30 23 15	G 1/4	9	2,5	FKM	54,0	40,0	2
K- 07 30 23 16	G 1/4	6	3,0	FKM	54,0	40,0	2
K- 07 30 23 17	G 1/4	2	4,5	FKM	54,0	40,0	2