

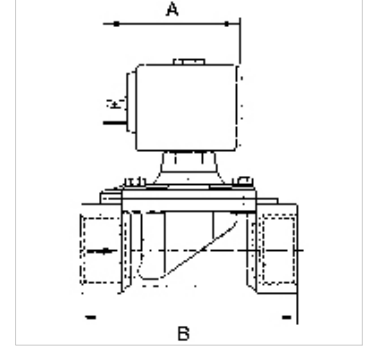
K-MV O V 24 V DC 1

Normally open, pilot-operated, 24 V DC (direct current)

HANSA FLEX

Özellikler

Elektrik bağlantısı	For connector socket Pg 9/Pg 11, acc. to ISO 4400
Koruma sınıfı	IP65 (with connector socket fitted)
Akışkan sıcaklığı	-10 °C to +90 °C (NBR); -10 °C bis +140 °C (FKM)
Mahafza, valf yuvası	Brass
İç parçalar	Stainless steel
Conta	Perbunan (NBR) or FKM



Açıklama

Diğer bilgiler, istek üzerinedir.

Açıklama

Economy series available in three different versions: Directly operated, Combined operation, Pilot-operated. For all applications with compressed air, neutral gases or low-viscosity, neutral media.

Ürün

Tanım	Mil	Maks. çalışma basıncı (bar)	min. çalışma basıncı (bar)	NW	Yalıtım malzemesi	A (mm)	B (mm)	Form
K- 07 30 23 93	G 3/8	16	0,20	13,0	NBR	54,0	60,0	4
K- 07 30 23 94	G 1/2	16	0,20	13,0	NBR	54,0	66,0	4
K- 07 30 23 95	G 3/4	16	0,20	19,0	NBR	54,0	104,0	6
K- 07 30 23 96	G 1	16	0,20	25,0	NBR	54,0	104,0	6
K- 07 30 23 97	G 1 1/4	10	0,20	35,0	NBR	54,0	144,0	6
K- 07 30 23 98	G 1 1/2	10	0,20	40,0	NBR	54,0	144,0	6
K- 07 30 23 99	G 2	10	0,20	50,0	NBR	54,0	172,0	6