

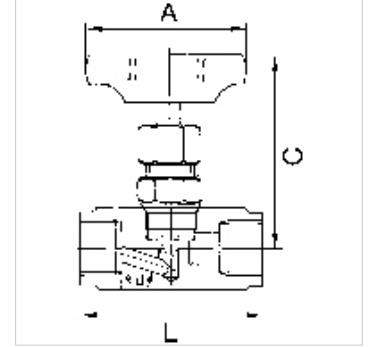
K-NADELVENTILE VA

Needle valves

HANSA FLEX

Özellikler

Çalışma basıncı	max. 400 bar (at 20 °C); max. 250 bar (at G 1 - 20 °C)
İşletim ısısı	-20 °C to +120 °C
Yalıtım malzemesi	PTFE
Gövde	Stainless steel 1.4571
El çarkı	Plastic
Malzeme	sealing: PTFE



Açıklama

G thread acc. to DIN EN ISO 228-1, with ISO flange plate (acc. to ISO 5211)
Diğer bilgiler, istek üzerinedir.

Siparişe ilgili bilgiler

For use on devices that have to be vented whenever they are turned off, either because of safety regulations or for technical reasons. The pneumatic devices are disconnected from the system and simultaneously vented each time they are shut off.

Ek bilgiler

Port sizes G 1 1/4, G 1 1/2 and G 2 available on request

Ürün

Tanım	DN	Mil	A (mm)	C (mm)	L (mm)
K- 07 30 24 03	4	G 1/8	50,0	74,0	50,0
K- 07 30 24 04	5	G 1/4	50,0	73,0	50,0
K- 07 30 24 05	6	G 3/8	50,0	72,0	55,0
K- 07 30 24 06	8	G 1/2	63,0	83,0	60,0
K- 07 30 24 07	10	G 3/4	63,0	100,0	75,0
K- 07 30 24 08	12	G 1	80,0	110,0	100,0