

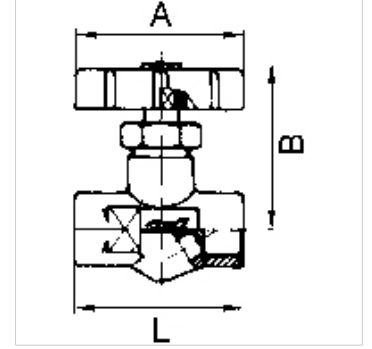
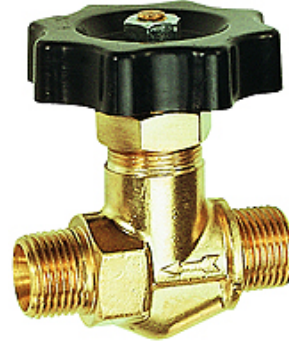
K-NADELVENTILE MS

Needle valves

HANSA FLEX

Özellikler

Çalışma basıncı	Max. 16 bar
Sıcaklık	-30 °C to +110 °C
Contalar	NBR
Gövde	Brass
El çarkı	Plastic
Mil	With fine adjustment



Açıklama

Diğer bilgiler, istek üzerinedir.

Ürün

Tanım	DN	Mil	A (mm)	B (mm)	L (mm)	SW (mm)
K- 07 30 03 55	4	G 1/4 male	48,0	50,0	45,0	17
K- 07 30 03 56	4	G 3/8 male	48,0	54,0	51,0	22
K- 07 30 03 57	4	G 1/4 female	48,0	48,0	42,0	17
K- 07 30 03 58	4	G 3/8 female	48,0	52,0	51,0	22
K- 07 30 03 59	4	G 1/2 female	48,0	56,0	64,0	27