

K-T AG-K ISO 7-1 2

Male branch tees, conical male thread acc. to ISO 7-1

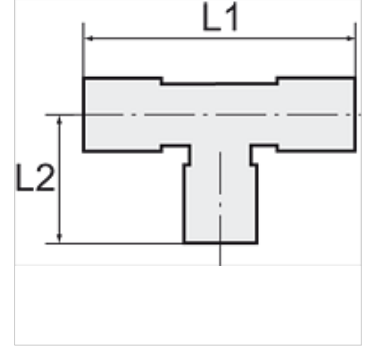
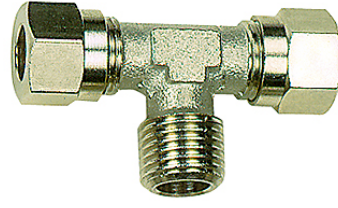
HANSA FLEX

Özellikler

Basınç aralığı Max. 60 bar

Sıcaklık Max. 150 °C

Malzeme Nikel kaplı pirinç



Açıklama

Diğer bilgiler, istek üzerinedir.

Ürün

Tanım	Borunun dış çapı	Mil	L1 (mm)	L2 (mm)	SW	SW1 (mm)
K- 07 40 19 83	4 mm	R 1/8	44,0	16,0	9 mm	10
K- 07 40 19 84	6 mm	R 1/8	46,0	16,0	9 mm	12
K- 07 40 19 85	8 mm	R 1/8	48,0	17,0	11 mm	14
K- 07 40 19 86	6 mm	R 1/4	46,0	20,0	11 mm	12
K- 07 40 19 87	8 mm	R 1/4	48,0	20,0	11 mm	14
K- 07 40 19 88	10 mm	R 1/4	64,0	23,5	13 mm	19
K- 07 40 19 89	8 mm	R 3/8	54,0	24,0	13 mm	14
K- 07 40 19 90	10 mm	R 3/8	64,0	24,0	13 mm	19
K- 07 40 19 91	12 mm	R 3/8	69,0	25,5	15 mm	22
K- 07 40 19 92	12 mm	R 1/2	69,0	28,5	14 mm	22
K- 07 40 19 93	15 mm	R 1/2	76,0	30,0	17 mm	27
K- 07 40 19 94	18 mm	R 1/2	88,0	34,0	22 mm	32