

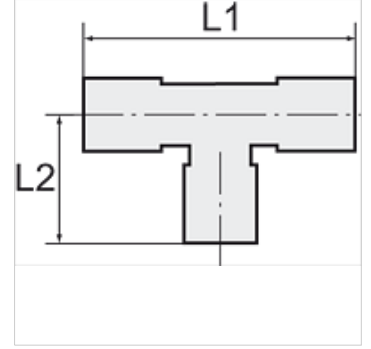
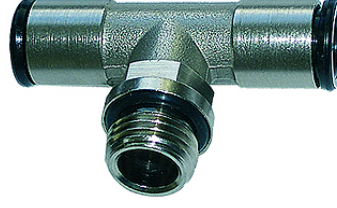
K-T AG DREH

Male branch tees, swivel type, parallel male thread

HANSA FLEX

Özellikler

Çalışma basıncı	Max. 16 bar (at +20 °C)
İşletim ısısı	-20 °C to +70 °C
Malzeme	Nikel kaplı pirinç
Bastırma halkası	Hostaform (black nickel-plated for Ø 10, 12)
Conta halkası	NBR, siliconefree
Gerdirme pensesi	Stainless steel AISI 316



Açıklama

Diğer bilgiler, istek üzerinedir.

Açıklama

Economy yet very high-quality series of push-in fittings made of nickel-plated brass. Compact, space-saving, lightweight design. An O-ring in the fillet at the end of the thread guarantees a tight connection for all male thread parts, even on rough surfaces.

Ürün

Tanım	Mil	Hortumun dış çapı için	L1 (mm)	L2 (mm)	SW
K- 07 40 29 85	G 1/8	4 mm	35,0	18,5	13 mm
K- 07 40 29 86	G 1/8	6 mm	42,0	18,5	13 mm
K- 07 40 29 87	G 1/8	8 mm	46,0	20,5	13 mm
K- 07 40 29 83	G 1/4	6 mm	42,0	22,5	13 mm
K- 07 40 29 84	G 1/4	8 mm	46,0	22,5	13 mm
K- 07 40 29 82	G 1/4	10 mm	51,0	24,5	16 mm