

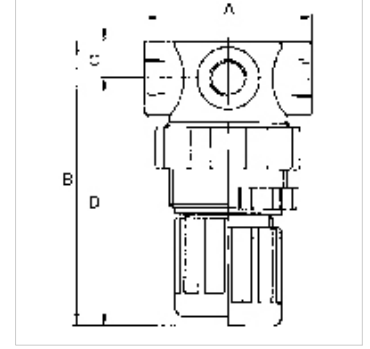
# K-DBV MANO 1/4"

Pressure limiting valves size 1/4"

**HANSA FLEX**

## Özellikler

Model	Spring-loaded, non-return diaphragm valve with adjustable opening pressure
Akışkan sıcaklığı	max. 60 °C
Ortam sıcaklığı	Max. 60 °C
Yalıtım malzemesi	NBR
Yay kapağı	POM/brass
Gövde	Die-cast zinc, painted silver
Membran	NBR



## Açıklama

Diğer bilgiler, istek üzerinedir.

## Açıklama

Manually adjustable overflow valves. For protecting pneumatic systems against damage caused by excess pressure.

## Ürün

Tanım	Mil	Ayar aralığı	A (mm)	B	C (mm)	TR (mm)
K- 07 25 01 93	G 1/4	0.1 - 2.0 bar	43,0	70,0 mm	10,0	60,0
K- 07 25 01 94	G 1/4	0.1 - 3.0 bar	43,0	70,0 mm	10,0	60,0
K- 07 25 01 95	G 1/4	0.15 - 7.0 bar	43,0	70,0 mm	10,0	60,0
K- 07 25 01 96	G 1/4	0.5 - 10.0 bar	43,0	70,0 mm	10,0	60,0

## Yedek Parçalar

K-HALTERBAUSATZ	Holder
K-SCHALTTAFELMUTTER	Nut
K-VERSCHLEI-SATZ	Set of wearing parts
K-SCHALLDAE SINTERBR AG 569	Silencers, sintered bronze, flat type with male thread, 569 Series
K-GERAETESTECKER	Coupling socket