

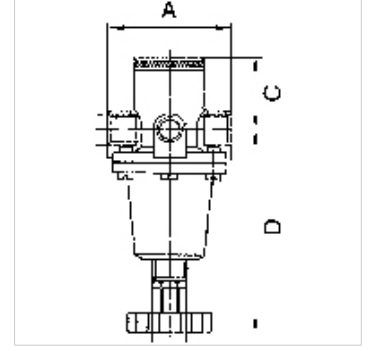
K-DRG MEMBRAN O SEKUNDAERL MANO M^S

Pressure regulators for Water with pressure gauge

HANSA FLEX

Özellikler

Giriş basıncı	Max. 40 bar
Sıcaklık sahası	+5 °C to +90 °C
Yalıtım malzemesi	NBR
Gövde	Brass
El çarkı	Plastic (G 1/4, G 1/2), rotary switch (G 3/4, G 1)
Membran	NBR
Akış değeri ölçümü	At P1 = 7 bar, P2 = 6 bar and $\Delta p = 1$ bar



Açıklama

Diğer bilgiler, istek üzerinedir.

Açıklama

Brass diaphragm pressure regulators with non-self-relieving design, specially for use with water. The regulator protects water installations against high system pressure, prevents pressure fluctuations and helps reduce water consumption. Undesirable flow noises are kept to a minimum.

Ürün

Tanım	Mil	Ayar aralığı	Akış (L/min)	A (mm)	B	C (mm)	TR (mm)
K- 07 25 04 78	G 1/4	0.5 - 6 bar	3	45,0	104,0 mm	23,0	81,0
K- 07 25 04 79	G 1/4	0.5 - 10 bar	3	45,0	104,0 mm	23,0	81,0
K- 07 25 04 80	G 1/2	0.5 - 6 bar	15	72,0	153,0 mm	30,0	123,0
K- 07 25 04 81	G 1/2	0.5 - 10 bar	15	72,0	153,0 mm	30,0	123,0
K- 07 25 04 82	G 1	0.5 - 6 bar	24	114,0	216,0 mm	41,0	175,0
K- 07 25 04 83	G 1	0.5 - 10 bar	24	114,0	216,0 mm	41,0	175,0
K- 07 25 04 84	G 1 1/2	0.5 - 6 bar	56	114,0	233,0 mm	50,0	183,0
K- 07 25 04 85	G 1 1/2	0.5 - 10 bar	56	114,0	233,0 mm	50,0	183,0

Yedek Parçalar

K-HALTERBAUSATZ	Holder
K-MEMBRANE DICHTKEGEL	Sealing cone, complete
K-RD NIPPEL KURZ 1	Reducing nipples, short type
K-XV AGM 2	Double nipples, parallel male thread