

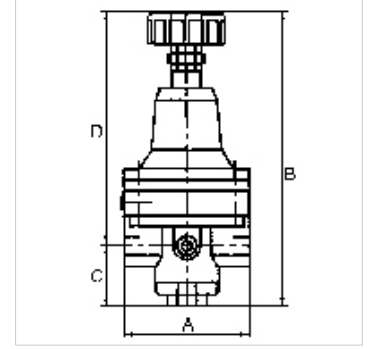
K-PRAEZI DRUCKREGLER SELU

Precision pressure regulators

HANSA FLEX

Özellikler

Giriş basıncı	Max. 16 bar
Akışkan sıcaklığı	max. 60 °C
Ortam sıcaklığı	Max. 60 °C
Akışkanlar	Micro-filtered, unoiled compressed air (0.01 µm)
Bağlantı manometre	G 1/4
Hava tahliye bağlantısı	G 3/8 (for mounting a silencer)
Yalıtım malzemesi	NBR
Gövde	Die-cast zinc
Öz hava tüketimi	1.5 - 6 l/min, depending on input pressure and control range



Açıklama

The given flow rates are based on the following parameters: 1200 l/min: P1: 5 bar, P2: 3 bar, $\Delta p \leq 0.1$ bar

1400 l/min: P1: 7 bar, P2: 5 bar, $\Delta p \leq 0.1$ bar

1500 l/min: P1: 10 bar, P2: 7 bar, $\Delta p \leq 0.1$ bar. Wear parts kit not supplied! Pressure regulator may only be opened in the factory!

Diğer bilgiler, istek üzerinedir.

Açıklama

With high flow rate and large secondary relief port. Diaphragm pressure regulators with large secondary relief port for applications requiring an extremely accurate working pressure, especially at high flow rates.

Ek bilgiler

on Art. K-07250721: Max. inlet pressure 300 bar. Other cylinder pressure regulators available on request.

1500 l/min: P1: 10 bar, P2: 7 bar, $\Delta p \leq 0.1$ bar.

Ürün

Tanım	Mil	Ayar aralığı	Akış (L/min)	A (mm)	C (mm)	TR (mm)
K- 07 25 09 28	G 1/4	0.05 - 3 bar	700	82,0	43,5	159,0
K- 07 25 09 29	G 1/4	0.05 - 7 bar	1500	82,0	43,5	159,0
K- 07 25 09 30	G 3/8	0.05 - 3 bar	3000	82,0	43,5	159,0
K- 07 25 09 31	G 3/8	0.05 - 7 bar	5500	82,0	43,5	159,0
K- 07 25 09 32	G 1/2	0.05 - 3 bar	3000	82,0	43,5	159,0
K- 07 25 09 33	G 1/2	0.05 - 5 bar	4500	82,0	43,5	159,0
K- 07 25 09 34	G 1/2	0.05 - 7 bar	5500	82,0	43,5	159,0

Yedek Parçalar

K-HALTERBAUSATZ STANDARD	Holder
K-KM MS	Hexagonal lock nuts, brass
K-SCHALLDAEPFER VYON	Vyon silencers
K-FILTERELEMENT	Filter element
K-XV AGM 2	Double nipples, parallel male thread