

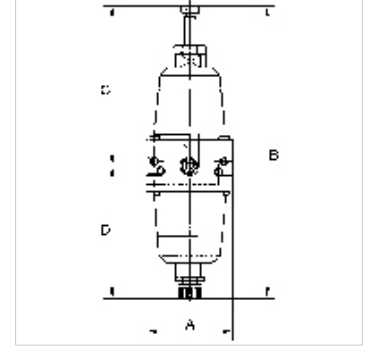
K-PRAEZISIONSFILTERREGLER

Precision filter regulators

HANSA FLEX

Özellikler

| | |
|-------------------------------------|---|
| Giriş basıncı | Max. 16 bar |
| Akışkan sıcaklığı | max. 60 °C |
| Ortam sıcaklığı | Max. 60 °C |
| Akışkanlar | Micro-filtered, unoiled compressed air (0.01 µm) |
| Bağlantı manometre | G 1/4 |
| Filtre ünitesindeki delik genişliği | 10 µm |
| Yalıtım malzemesi | NBR |
| Gövde | Die-cast zinc |
| Öz hava tüketimi | 0.01 l/min, depending on input pressure and control range |



Açıklama

The given flow rates are based on the following parameters: 750 l/min: P1: 8 bar, P2: 2 bar, $\Delta p \leq 0.2$ bar

750 l/min: P1: 8 bar, P2: 3 bar, $\Delta p \leq 0.5$ bar

750 l/min: P1: 8 bar, P2: 5 bar, $\Delta p \leq 0.7$ bar

Diğer bilgiler, istek üzerinedir.

Açıklama

Diaphragm pressure regulators containing no non-ferrous metals, with selfrelieving design, combined with a centrifugal separator for applications requiring an extremely accurate working pressure.

Ek bilgiler

1500 l/min: P1: 10 bar, P2: 7 bar, $\Delta p \leq 0.1$ bar.

Ürün

| Tanım | Mil | Ayar aralığı | Akış (L/min) | A (mm) | B | C (mm) | TR (mm) |
|----------------|-------|--------------|--------------|--------|----------|--------|---------|
| K- 07 25 09 86 | G 1/4 | 0.1 - 2 bar | 750 | 60,0 | 216,0 mm | 120,0 | 96,0 |
| K- 07 25 09 87 | G 1/4 | 0.1 - 3 bar | 750 | 60,0 | 216,0 mm | 120,0 | 96,0 |
| K- 07 25 09 88 | G 1/4 | 0.2 - 5 bar | 750 | 60,0 | 216,0 mm | 120,0 | 96,0 |

Yedek Parçalar

| | |
|--------------------------|----------------------|
| K-HALTERBAUSATZ STANDARD | Holder |
| K-VERSCHLEI-SATZ | Set of wearing parts |