

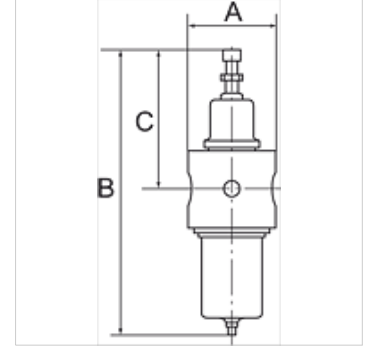
K-FI REGL H ABLV VA

Filter regulators

HANSA FLEX

Özellikler

Giriş basıncı	Max. 30 bar
Akışkan sıcaklığı	max. 130 °C
Ortam sıcaklığı	Max. 60 °C
Akış	2500 l/min
Filtre ünitesindeki delik genişliği	50 µm
Yalıtım malzemesi	FKM
Membran	PTFE on NBR base
Malzeme	stainless steel 1.4404 (AISI 316L)
Drain valve	Manual drain valve
Akış değeri ölçümü	At P1 = 10 bar, P2 = 5 bar and pressure drop $\Delta p \leq 1$ bar



Açıklama

Diğer bilgiler, istek üzerinedir.

Açıklama

Stainless steel filter regulators with self-relieving (not for liquid media) containing no non-ferrous metals for use in the food processing, chemical, mining, plant construction and special machinery industries as well as in the medical technology.

Siparişe ilgili bilgiler

With filter element 5 µm available on request. Without self-relieving design (for liquids) available on request. With semi- or fully automatic drain valve on request. With NPT threads available on request.

Ürün

Tanım	Mil	Ayar aralığı	A (mm)	B	C (mm)
K- 07 25 06 52	G 1/4	1.0 - 15.0 bar	65,0	250,0 mm	125,0
K- 07 25 06 51	G 1/2	1.0 - 15.0 bar	80,0	260,0 mm	127,0

Yedek Parçalar

K-HALTERBAUSATZ EDELSTAHL	Holder
K-MANO	Pressure gauges (CrNi steel type / connection on rear)
K-VERSCHLEI-SATZ	Set of wearing parts