

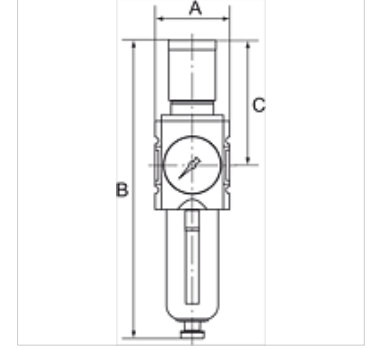
K-FI REGL PC-BEHAEL S MANO HANSA

Filter regulators

HANSA FLEX

Özellikler

Giriş basıncı	1.5 - 16 bar
Çıkış basıncı	0.5 - 8 bar
Sıcaklık sahası	-10 °C to +50 °C
Akışkanlar	Basıncılı hava
Filtre hassasiyeti	5,00 µm
Bağlantı vida dişi	Material: Die-cast zinc
Kap	Polycarbonate (with bayonet lock)
Filtre ünitesi	Cellpor (PE)
Gövde	Material: Grivory® (PA 66)
Membran	NBR
Öz hava tüketimi	Max. 1.5 l/min (depending on secondary pressure)
Akış değeri ölçümü	At P1 = 10 bar, P2 = 6.3 bar and pressure drop Δp = 1 bar



Açıklama

Diğer bilgiler, istek üzerinedir.

Açıklama

Filter regulators with excellent flow rates in modern design. The regulator knob can be latched and locked.

Siparişe ilgili bilgiler

The price does not include a key lock. Please order separately.

Ürün

Tanım	Mil	Akış (L/min)	A (mm)	B	C (mm)	Model ebadı	Yoğuşma tahliyesi
K- 07 25 06 57	G 1/4	2200	52,0	225,0 mm	95,5	-	Semi
K- 07 25 06 58	G 3/8	2600	52,0	225,0 mm	95,5	-	Semi
K- 07 25 06 59	G 3/8	4300	63,0	257,0 mm	110,0	-	Semi
K- 07 25 06 60	G 1/2	5200	63,0	257,0 mm	110,0	-	Semi
K- 07 25 06 53	G 3/4	14000	85,0	329,0 mm	137,0	-	Semi
K- 07 25 06 54	G 1	14000	85,0	329,0 mm	137,0	-	Semi
K- 07 25 06 61	G 1/4	2200	52,0	243,0 mm	95,5	-	Auto
K- 07 25 06 62	G 3/8	2600	52,0	243,0 mm	95,5	-	Auto
K- 07 25 06 63	G 3/8	4300	63,0	274,0 mm	110,0	-	Auto
K- 07 25 06 64	G 1/2	5200	63,0	274,0 mm	110,0	-	Auto
K- 07 25 06 55	G 3/4	14000	85,0	343,0 mm	137,0	4	Auto
K- 07 25 06 56	G 1	14000	85,0	343,0 mm	137,0	4	Auto

Aksesuar

K-STECKSCHLOSS Key lock

Yedek Parçalar

K-HALTERBAUSATZ HANSA	Holder HANSA
K-ERSATZBEHAELTER HANSA POLY	Spare tank HANSA polycarbonat
K-SCHALTTAFELMUTTER HANSA	Nut HANSA
K-FILTERELEMENT	Filter element
K-DICHTSATZ HANSA	Set of seals HANSA