

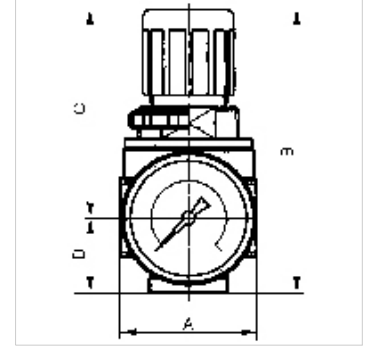
# K-DRG MULTIFIX MINI

Pressure regulators

**HANSA FLEX**

## Özellikler

|                    |  |
|--------------------|--|
| Giriş basıncı      | Max. 16 bar  |
| Akışkan sıcaklığı  | max. 60 °C   |
| Ortam sıcaklığı    | Max. 60 °C   |
| Yalıtım malzemesi  | NBR  |
| Yay kapağı         | POM-brass  |
| Gövde              | Die-cast zinc  |
| Akış değeri ölçümü | At P1 = 8 bar, P2 = 6 bar and pressure drop $\Delta p = 1$ bar |



## Açıklama

Diğer bilgiler, istek üzerinedir.

## Açıklama

Reversible diaphragm pressure regulators, independent of inlet pressure, with self-relieving design. The pressure setting can be locked by pushing the button down.

## Siparişe ilgili bilgiler

Lockable pressure regulators: K-07250001 and K-07250007 (prices on request). If several devices in the »multiflex-mini« Series are assembled together, the maximum working pressure is 12 bar.

## Ürün

| Tanım          | Mil   | Ayar aralığı | Akış (L/min) | A (mm) | B       | C (mm) | TR (mm) | DN | Model ebadı |
|----------------|-------|--------------|--------------|--------|---------|--------|---------|----|-------------|
| K- 07 25 00 03 | G 1/8 | 0.1 - 3 bar  | 1100         | 40,0   | 85,0 mm | 63,0   | 22,0    | 5  | 0           |
| K- 07 25 00 04 | G 1/8 | 0.2 - 6 bar  | 1100         | 40,0   | 85,0 mm | 63,0   | 22,0    | 5  | 0           |
| K- 07 25 00 01 | G 1/8 | 0.5 - 10 bar | 1100         | 40,0   | 85,0 mm | 63,0   | 22,0    | 5  | 0           |
| K- 07 25 00 02 | G 1/8 | 0.5 - 16 bar | 1100         | 40,0   | 85,0 mm | 63,0   | 22,0    | 5  | 0           |
| K- 07 25 00 05 | G 1/4 | 0.1 - 3 bar  | 1100         | 40,0   | 85,0 mm | 63,0   | 22,0    | 5  | 0           |
| K- 07 25 00 06 | G 1/4 | 0.2 - 6 bar  | 1100         | 40,0   | 85,0 mm | 63,0   | 22,0    | 5  | 0           |
| K- 07 25 00 07 | G 1/4 | 0.5 - 10 bar | 1100         | 40,0   | 85,0 mm | 63,0   | 22,0    | 5  | 0           |

## Yedek Parçalar

|                     |                      |
|---------------------|----------------------|
| K-HALTERBAUSATZ     | Holder               |
| K-SCHALTTAFELMUTTER | Nut                  |
| K-KOPPELPAKET MEHR  | Coupling packet      |
| K-VERSCHLEI-SATZ    | Set of wearing parts |