

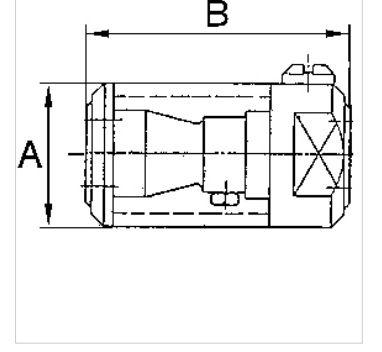
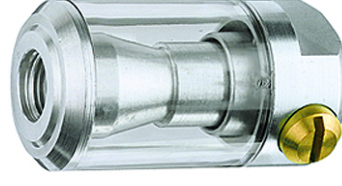
# K-NEBELOELER MINI

Mini oil-mist lubricator

**HANSA FLEX**

## Özellikler

Çalışma basıncı	min. 2 bar - max. 6 bar
Akışkan sıcaklığı	max. 50 °C
Ortam sıcaklığı	Max. 50 °C
Akış yönü montaj konumu	Oil intake at the lowest point/any
Yağ kabı	Polycarbonate
Yağ türü	CL 32 acc. to DIN 51517 - ISO VG 32



## Açıklama

Diğer bilgiler, istek üzerinedir.

## Açıklama

For mounting on pneumatic impact tools (nail drivers, tackers, screwdrivers) which work intermittently. Also suitable for tools with continuous compressed air demand (grinding and polishing machines). Fixed drip rate: Approx. 0.4 cm<sup>3</sup> per 100 work cycles, one filling = 3000 work cycles. Oil consumption in continuous operation (at 6 bar): 0.15 cm<sup>3</sup> / Nm<sup>3</sup> (varies depending on ambient temperature and oil used).

## Ürün

Tanım	Mil	A (mm)	B	DN
K- 07 25 09 11	G 1/4	33,0	60,0 mm	8
K- 07 25 09 12	G 3/8	33,0	60,0 mm	8