

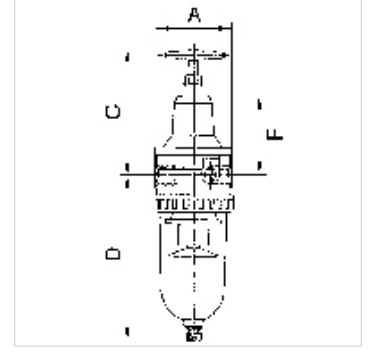
# K-FI REGL PC-BEHAEL H ABLV STANDARD

Filter regulators with polycarbonate bowl and semi-automatic drain valve

**HANSA FLEX**

## Özellikler

Giriş basıncı	Max. 16 bar (polycarbonate bowl), Max. 25 bar (metal bowl)
Ayar aralığı	0.5 to 10 bar (polycarbonate bowl), 0.5 to 16 bar (metal bowl)
Akışkan sıcaklığı	max. 60 °C
Ortam sıcaklığı	Max. 60 °C
Filtre ünitesindeki delik genişliği	5 µm (Size 1 / Size 3), 40 µm (Size 2 / Size 4)
Yalıtım malzemesi	NBR
Gövde	Die-cast zinc (G1/4 to G1/2), silver painted/ aluminium (G3/4 to G1), silver painted
Akış değeri ölçümü	At P1 = 8 bar, P2 = 6 bar and pressure drop $\Delta p = 1$ bar



## Açıklama

Diğer bilgiler, istek üzerinedir.

## Açıklama

Reversible diaphragm pressure regulators, independent of inlet pressure, with selfrelieving design, combined with a centrifugal separator.

## Ürün

Tanım	Mil	Akış (L/min)	A (mm)	C (mm)	TR (mm)	DN	F (mm)
K- 07 25 06 67	G 1/4	900	54,0	106,5	129,7	8	62,0
K- 07 25 06 70	G 3/8	900	54,0	106,5	129,7	8	62,0
K- 07 25 06 73	G 3/8	1500	70,0	120,5	145,9	11	76,5
K- 07 25 06 76	G 1/2	3000	82,0	130,0	169,4	14	83,0
K- 07 25 06 79	G 3/4	7000	125,0	190,6	261,4	25	145,0
K- 07 25 06 82	G 1	7000	125,0	190,6	261,4	25	145,0

## Yedek Parçalar

K-HALTERBAUSATZ STANDARD	Holder
K-SCHUTZKORB G	Protective cage
K-FILTERELEMENT	Filter element
K-VERSCHLEI-SATZ	Set of wearing parts
K-XV AGM MS NI	Double nipples, parallel male thread, nickel-plated brass
K-LOESBARE DOPPELNIPPEL MS	Double nipples
K-ABLASSVENTIL AUTO	Fully-automatic drain valve with Adapter G 1/8
K-AUTOMAT ABLASSVENTIL	Automatic drain valve