

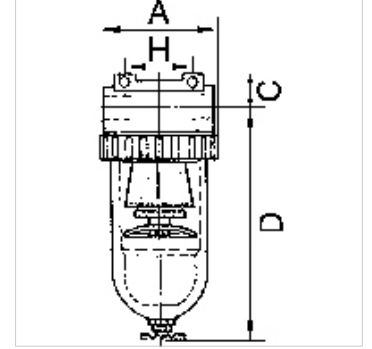
K-FI SPEZI PC-BEHÄELTER H STANDARD

Special filters with polycarbonate bowl, with semi-automatic drain valve to G 1/2 and manual drain valve from G 3/4

HANSA FLEX

Özellikler

Giriş basıncı	Max. 16 bar (polycarbonate bowl / bowl guard), Max. 25 bar (metal bowl)
Akışkan sıcaklığı	max. 50 °C
Ortam sıcaklığı	Max. 50 °C
Etki derecesi	99.999 %
Filtre ünitesindeki delik genişliği	0.01 µm
Gövde	Die-cast zinc, painted silver
Akış değeri ölçümü	At P2 = 6 bar and pressure drop $\Delta p = 1$ bar



Açıklama

Diğer bilgiler, istek üzerinedir.

Açıklama

For all applications with particularly strict compressed air purity requirements. The separating efficiency of these filters permits very fine oil vapour particles and micro-fine suspended particles to be filtered. A standard filter should always be connected upstream to trap coarse impurities and protect the micro-filter inserts.

Ürün

Tanım	Mil	Akış (L/min)	A (mm)	C (mm)	TR (mm)	H (mm)	DN
K- 07 25 10 76	G 3/8	380	48,0	14,0	131,6	38,0	6
K- 07 25 10 83	G 3/4	7000	133,0	36,0	206,0	134,0	20
K- 07 25 10 86	G 1	7000	133,0	36,0	206,0	120,0	25

Yedek Parçalar

K-HALTERBAUSATZ STANDARD	Holder
K-FILTERELEMENT STANDARD	Filter element
K-SCHUTZKORB G	Protective cage
K-XV AGM MS NI	Double nipples, parallel male thread, nickel- plated brass
K-LOESBARE DOPPELNIPPEL MS	Double nipples