

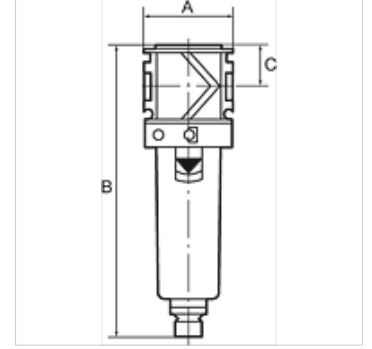
# K-FI PC-BEHAELTER VARIOBLOC

Filters with polycarbonate bowl

**HANSA FLEX**

## Özellikler

|                                     |                                                            |
|-------------------------------------|------------------------------------------------------------|
| Giriş basıncı                       | Max. 16 bar (polycarbonate bowl), Max. 20 bar (metal bowl) |
| Akışkan sıcaklığı                   | max. 50 °C                                                 |
| Ortam sıcaklığı                     | Max. 50 °C (polycarbonate bowl), Max. 80 °C (metal bowl)   |
| Filtre ünitesindeki delik genişliği | 40 µm                                                      |
| Yalıtım malzemesi                   | NBR                                                        |
| Gövde                               | Die-cast zinc                                              |
| Drain valve                         | Manual                                                     |
| Akış değeri ölçümü                  | At P1 = 6 bar and pressure drop $\Delta p = 1$ bar         |



## Açıklama

Diğer bilgiler, istek üzerinedir.

## Açıklama

Centrifugal separators with a sintered filter element. Filtration takes place in a 2-stage process comprising cyclone separation (condensate) and a PE filter element (particles). Approved series in modern industrial design, with the following key benefits: Simple handling, Convenient modular assembly thanks to innovative fasteners, Excellent flow values.

## Siparişe ilgili bilgiler

Filters are also available with bowl guard or metal bowl.

## Ürün

| Tanım          | Mil   | Akış (L/min) | A (mm) | B        | C (mm) |
|----------------|-------|--------------|--------|----------|--------|
| K- 07 25 06 25 | G 1/4 | 1800         | 48,0   | 155,0 mm | 22,0   |
| K- 07 25 06 27 | G 3/8 | 2000         | 48,0   | 155,0 mm | 22,0   |
| K- 07 25 06 29 | G 1/2 | 3200         | 70,0   | 202,0 mm | 26,0   |
| K- 07 25 06 31 | G 3/4 | 3500         | 70,0   | 202,0 mm | 26,0   |
| K- 07 25 06 33 | G 1   | 3500         | 124,0  | 202,0 mm | 26,0   |

## Yedek Parçalar

|                                  |                                                |
|----------------------------------|------------------------------------------------|
| K-ERSATZBEHAELTER VARIOBLOC POLY | Spare tank Polycarbonat                        |
| K-FILTERELEMENT VARIOBLOC        | Filter element                                 |
| K-ABLASSVENTIL AUTO              | Fully-automatic drain valve with Adapter G 1/8 |