

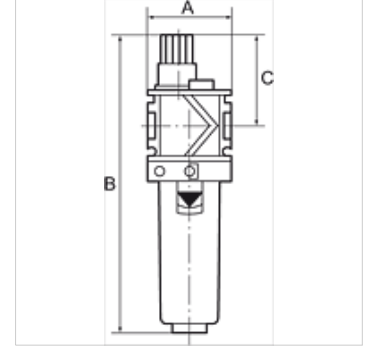
# K-NEBELOELER PC-BEHAEALTER VARIOBLOC

Oil-mist lubricators with polycarbonate bowl

**HANSA FLEX**

## Özellikler

<b>Giriş basıncı</b>	Max. 16 bar (polycarbonate bowl), Max. 20 bar (metal bowl)
<b>Akışkan sıcaklığı</b>	max. 50 °C
<b>Ortam sıcaklığı</b>	Max. 50 °C (polycarbonate bowl), Max. 80 °C (metal bowl)
<b>Yalıtım malzemesi</b>	NBR
<b>Gövde</b>	Die-cast zinc
<b>Damla örtüsü</b>	PA
<b>Yağ türü</b>	CL 32 acc. to DIN 51517 - ISO VG 32
<b>Akış değeri ölçümü</b>	At P1 = 6 bar and pressure drop $\Delta p = 1$ bar



## Açıklama

Diğer bilgiler, istek üzerinedir.

## Açıklama

Proportional lubricators, oil can be filled under pressure. Approved series in modern industrial design, with the following key benefits: Simple handling, Convenient modular assembly thanks to innovative fasteners, Excellent flow values.

## Siparişe ilgili bilgiler

Oil-mist lubricators are also available with bowl guard or metal bowl.

## Ürün

Tanım	Mil	Akış (L/min)	A (mm)	B	C (mm)
K- 07 25 09 13	G 1/4	3400	48,0	171,0 mm	52,0
K- 07 25 09 15	G 3/8	4400	48,0	171,0 mm	52,0
K- 07 25 09 17	G 1/2	4600	70,0	224,0 mm	57,0
K- 07 25 09 19	G 3/4	7500	70,0	224,0 mm	57,0
K- 07 25 09 21	G 1	7500	124,0	224,0 mm	57,0

## Yedek Parçalar

K-ERSATZBEHAELTER VARIOBLOC POLY	Spare tank Polycarbonat
K-TROPFAUFSATZ VARIOBLOC	Drip attachment
K-TROPFAUFSATZ METALL	Drip attachment metal