

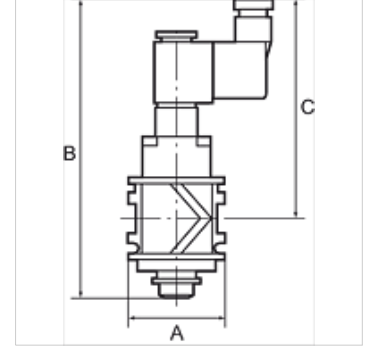
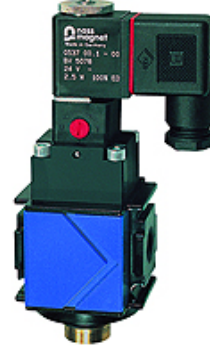
K-SCHALTVENTILE 3/2 VAROBLOC

On-off valves (3/2-way valves)

HANSA FLEX

Özellikler

Koruma sınıfı	IP 65 acc. to DIN 40050
Çalışma basıncı	3 to 10 bar
Akış değeri ölçümü	At P1 = 6 bar and pressure drop $\Delta p = 1$ bar



Açıklama

Diğer bilgiler, istek üzerinedir.

Açıklama

For pressurising and relieving pneumatic systems. Ideal as the main "on" valve for service units. The pressure in the line is exhausted when the valve is switched off.

Ürün

Tanım	Mil	Akış (L/min)	A (mm)	Bağlantı	B	C (mm)	Gerilim
K- 07 25 11 94	G 1/4	2200	48,0	Device plug PG 9, type B, EN 175301-803	147,0 mm	108,0	24 V DC
K- 07 25 11 95	G 3/8	2600	48,0	Device plug PG 9, type B, EN 175301-803	147,0 mm	108,0	24 V DC
K- 07 25 11 96	G 1/2	3300	70,0	Device plug PG 9, type B, EN 175301-803	157,0 mm	113,0	24 V DC
K- 07 25 11 97	G 3/4	3800	70,0	Device plug PG 9, type B, EN 175301-803	157,0 mm	113,0	24 V DC
K- 07 25 11 98	G 1	3800	124,0	Device plug PG 9, type B, EN 175301-803	157,0 mm	113,0	24 V DC

Yedek Parçalar

K-MAGNETSPULE VARIOBLOC	Solenoid
K-GERAETESTECKER	Coupling socket