

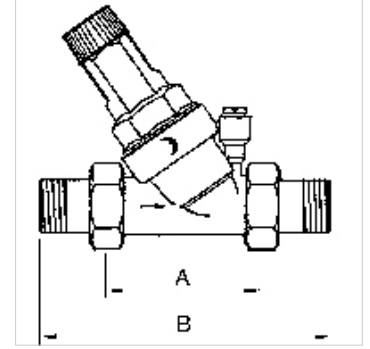
K-DRG SAXONIA M MANO

Pressure regulators

HANSA FLEX

Özellikler

Giriş basıncı	Max. 16 bar
Akışkanlar	Drinking water
İşletim ısısı	Max. 30 °C
Yalıtım malzemesi	NBR
Yay kapağı	Plastic
Gövde	Brass
Süzgeç fincanı	Plastic, with control dial for back pressure
Diğer bilgiler	DVGW Zertifikat



Açıklama

Diğer bilgiler, istek üzerinedir.

Açıklama

Diaphragm pressure regulators with pressure-reduced single-seated valve and built-in strainer. These pressure regulators, which are independent of inlet pressure, protect domestic water installations against excessive supply pressure. They can also be used for commercial or industrial purposes providing their specification is adequate.

Ürün

Tanım	Mil	DN	Ayar aralığı	Akış kvs değeri (m ³ /h)	A (mm)	B
K- 07 25 04 72	R 3/4	20	1.5 - 6 bar	3,4	90,0	158,0 mm
K- 07 25 04 73	R 1	25	1.5 - 6 bar	5,3	100,0	184,0 mm
K- 07 25 04 74	R 1 1/4	32	1.5 - 6 bar	8,6	130,0	228,0 mm

Yedek Parçalar

K-VENTILAUUSTAUSCHSATZ	Valve replacement kit
K-ERSATZSIEBE	Replacement strainer
K-RMM U STAHL	Standard pressure gauges (sheet steel housing / connection radial on bottom)