

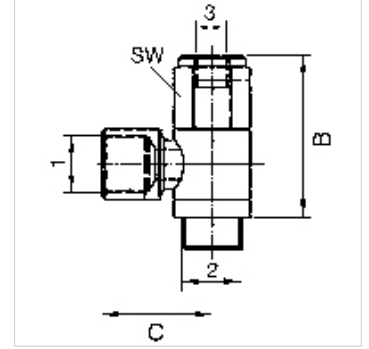
# K-HS RD

Unidirectional banjo valves, pneumatic release, port 2 with female thread

**HANSA FLEX**

## Özellikler

Çalışma basıncı	0.3 - 10 bar
Kumanda basıncı	0.5 - 2.5 bar, depending on operating pressure
Akışkan sıcaklığı	max. 60 °C
Yerleştirme konumu	Any. The ring piece must be positioned before the valve is tightened
Malzeme	Nikel kaplı pirinç
Yalıtım malzemesi	Perbunan



## Açıklama

Diğer bilgiler, istek üzerinedir.

## Açıklama

For stopping and positioning the cylinder movement: If a control signal is present at port 3 (see drawing), air can flow to and from the cylinder. If no control signal is present, the cylinder exhaust air is shut off by the unidirectional valve. The cylinder is stopped. Releasable unidirectional valves are screwed directly onto the cylinder instead of the normal pipe connections.

## Ürün

Tanım	Port 1	Port 2	Bağlantı 3	B (mm)	C (mm)
K- 07 15 07 04	G 1/8	G 1/8	M 5	38,0	21,5
K- 07 15 07 03	G 1/4	G 1/4	G 1/8	43,0	25,4
K- 07 15 07 05	G 3/8	G 3/8	G 1/8	46,0	31,6
K- 07 15 07 02	G 1/2	G 1/2	G 1/8	52,0	32,0