

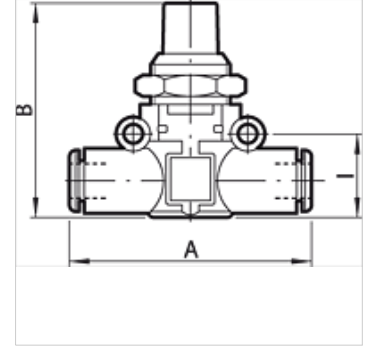
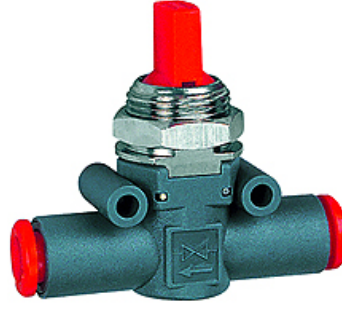
K-ABSPV SCHL SCHL

Shut-off valves, pipe - pipe

HANSA FLEX

Özellikler

Çalışma basıncı	maks. 10 bar
Akış 6,3bar, p=1bar	280 NI/min (Ø 6), 470 NI/min (Ø 8)
Sıcaklık sahası	-20 °C to +60 °C
Gövde	Technopolymer
İç parçalar	nickel-plated brass, brass, technopolymer, stainless steel
Yalıtım malzemesi	NBR
Montaj	Wall mounting (housing with drilled holes) Bracket mounting (mounting bracket available) Panel mounting (with bracket or lock nut)
Simge	on the housing



Açıklama

Diğer bilgiler, istek üzerinedir.

Açıklama

A carefully selected assortment of products for installation in pneumatic circuits. These small, highly efficient components allow all pneumatic functions to be implemented anywhere in the circuit. The series has an ultramodular design. All components can be installed in parallel, in series, in a mixed parallel / serial configuration. Available as Pipe / pipe connection with two plug connectors Thread / pipe connection, with one plug connector and one nickel-plated brass thread.

Ürün

Tanım	hortum çapı için (mm)	Simge	A (mm)	B (mm)	l (mm)
K- 07 15 04 42	6	On housing	49,0	41,0	14,6
K- 07 15 04 43	8	On housing	57,2	46,0	18,7