

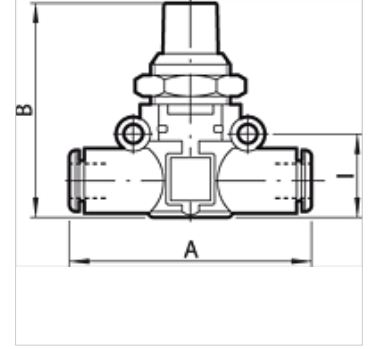
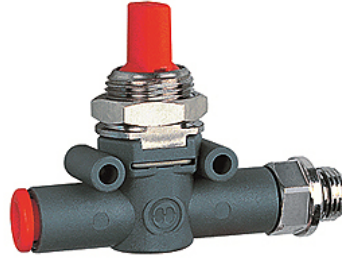
K-ABSPV SCHL GEW

Shut-off valves, pipe (input) - thread (output)

HANSA FLEX

Özellikler

| | |
|---------------------|--|
| Çalışma basıncı | maks. 10 bar |
| Akış 6,3bar, p=1bar | 280 NI/min (Ø 6), 470 NI/min (Ø 8) |
| Sıcaklık sahası | -20 °C to +60 °C |
| Gövde | Technopolymer |
| İç parçalar | nickel-plated brass, brass, Technopolymer, stainless steel |
| Yalıtım malzemesi | NBR |
| Montaj | Wall mounting (housing with drilled holes) Bracket mounting (mounting bracket available) Panel mounting (with bracket or lock nut) |
| Simge | on the housing |



Açıklama

Diğer bilgiler, istek üzerinedir.

Açıklama

A carefully selected assortment of products for installation in pneumatic circuits. These small, highly efficient components allow all pneumatic functions to be implemented anywhere in the circuit. The series has an ultramodular design. All components can be installed in parallel, in series, in a mixed parallel / serial configuration. Available as Pipe / pipe connection with two plug connectors Thread / pipe connection, with one plug connector and one nickel-plated brass thread.

Ürün

| Tanım | Mil | hortum çapı için (mm) | A (mm) | B (mm) | l (mm) |
|----------------|-------|-----------------------|--------|--------|--------|
| K- 07 15 04 51 | G 1/8 | 6 | 58,3 | 41,0 | 14,6 |
| K- 07 15 04 52 | G 1/8 | 8 | 66,4 | 46,0 | 18,7 |
| K- 07 15 04 49 | G 1/4 | 6 | 61,3 | 41,0 | 14,6 |
| K- 07 15 04 50 | G 1/4 | 8 | 70,8 | 46,0 | 18,7 |
| K- 07 15 04 53 | G 3/8 | 8 | 72,4 | 46,0 | 18,7 |