

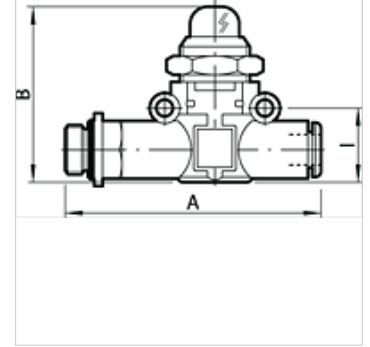
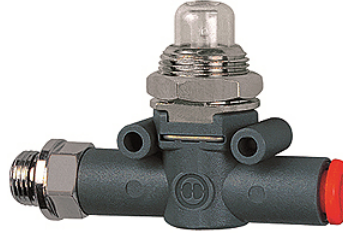
K-DAZ 2

Pressure indicators, thread (input) - pipe (output)

HANSA FLEX

Özellikler

Çalışma basıncı	2 - 10 bar
Sıcaklık sahası	-20 °C to +60 °C
Gövde	Technopolymer
İç parçalar	nickel-plated brass, brass, \ntechnopolymer, stainless steel
Yalıtım malzemesi	NBR
Montaj	Wall mounting (housing with drilled holes) Bracket mounting (mounting bracket available) Panel mounting (with bracket or lock nut)
Simge	on the housing



Açıklama

Diğer bilgiler, istek üzerinedir.

Açıklama

A carefully selected assortment of products for installation in pneumatic circuits. These small, highly efficient components allow all pneumatic functions to be implemented anywhere in the circuit. The series has an ultramodular design.
All components can be installed In parallel, In series, In a mixed parallel / serial configuration. Available as Pipe / pipe connection with two plug connectors Thread / pipe connection, with one plug connector and one nickel-plated brass thread.

Ürün

Tanım	Mil	hortum çapı için (mm)	A (mm)	B (mm)	l (mm)
K- 07 15 05 79	G 1/8	6	58,5	37,0	14,6
K- 07 15 05 80	G 1/8	8	66,2	41,0	18,7
K- 07 15 05 77	G 1/4	6	61,5	37,0	14,6
K- 07 15 05 78	G 1/4	8	70,6	41,0	18,7
K- 07 15 05 81	G 3/8	8	72,2	41,0	18,7