

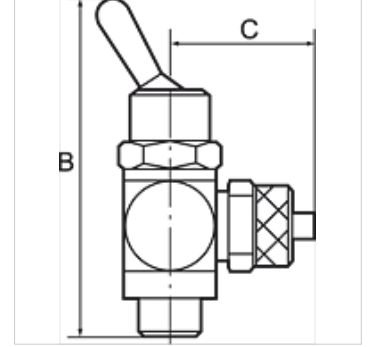
# K-WKV 3/2 SCHLS SCHNVERSCHR

3/2-way toggle valves, discharge port on thread, quick-lock screw fitting

**HANSA FLEX**

## Özellikler

Çalışma basıncı	maks. 8 bar
Sıcaklık sahası	0 °C to +70 °C
Dişli şalter tablosu	M 12 x 0.75 (sheet thickness max. 4 mm)
İç parçalar	Brass with a bare metal surface
Yalıtım malzemesi	NBR
İç boş vida, çevirme kolu, devirme kolu	Nickel-plated brass
Contalar (kaybedilmez)	Polyamide (glass fibre-reinforced)



## Açıklama

Diğer bilgiler, istek üzerinedir.

## Açıklama

Manually operated toggle valves, 2/2 and 3/2-way types. For all applications where compressed air must be switched on or off quickly and easily or a cylinder operated manually. Designed as a banjo-type valve with a hollow bolt and ring piece. Suitable for screwing directly into the equipment or for panel mounting. Compact type of construction, also ideal where space is restricted.

## Ürün

Tanım	Model	C (mm)	Hortum için	Mil	SW	B (mm)
K- 07 15 07 24	3/2-way	16,0	G 1/8 IG	G 1/8	14 mm	55,0
K- 07 15 07 25	3/2-way	25,0	5 mm / 3 mm	G 1/8	14 mm	55,0
K- 07 15 07 26	3/2-way	25,0	6 mm / 4 mm	G 1/8	14 mm	55,0
K- 07 15 07 27	3/2-way	25,0	8 mm / 6 mm	G 1/8	14 mm	55,0
K- 07 15 07 20	3/2-way	22,0	G 1/4 IG	G 1/4	17 mm	60,0
K- 07 15 07 22	3/2-way	26,5	6 mm / 4 mm	G 1/4	17 mm	60,0
K- 07 15 07 23	3/2-way	27,5	8 mm / 6 mm	G 1/4	17 mm	60,0
K- 07 15 07 21	3/2-way	28,5	10 mm / 8 mm	G 1/4	17 mm	60,0