

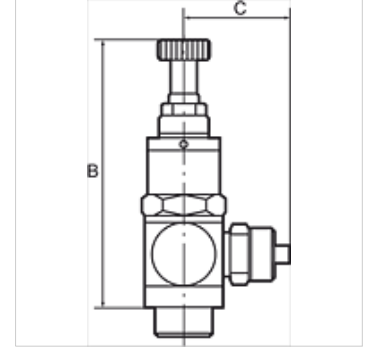
K-KDR SCHNVERSCHR

Mini pressure regulators, discharge port on thread, quick-lock screw fitting

HANSA FLEX

Özellikler

Ayar aralığı	0 - 8 bar
Giriş basıncı	Max. 10 bar
Sıcaklık sahası	0 °C to +70 °C
İç boş vida, çevirme kolu, ayarlama vidası	Nickel-plated brass
İç parçalar	Brass with a bare metal surface
Dudak contası conta halkası	NBR
Contalar (kaybedilmez)	Polyamide (glass fibre-reinforced)



Açıklama

Diğer bilgiler, istek üzerinedir.

Açıklama

Piston pressure regulator with self-relieving design, hollow bolt and pivoting ring piece. The regulator is screwed directly into the consumer (e.g. cylinder, handling equipment, etc.). The working pressure can thus be adapted to the specific application.

Ürün

Tanım	C (mm)	Hortum için	Mil	SW	B (mm)
K- 07 25 08 33	16,0	G 1/8 IG	G 1/8	15 mm	56,0
K- 07 25 08 34	25,0	5 mm / 3 mm	G 1/8	15 mm	56,0
K- 07 25 08 35	25,0	6 mm / 4 mm	G 1/8	15 mm	56,0
K- 07 25 08 36	25,0	8 mm / 6 mm	G 1/8	15 mm	56,0
K- 07 25 08 31	26,5	6 mm / 4 mm	G 1/4	17 mm	63,0
K- 07 25 08 32	27,5	8 mm / 6 mm	G 1/4	17 mm	63,0
K- 07 25 08 30	28,5	10 mm / 8 mm	G 1/4	17 mm	63,0